

## Automobile Water Pump Bearings

As stable parts to automobile, auto bearings' quality control is very important, Currently IXIN supply all types automotive water pump bearings.

### Index:

#### Water pump bearings:

Ball/ball internal design-W series

Ball/ball internal design with shaft reduction-W-S series

Ball/roller internal design-WN series

Ball/roller internal design with shaft reduction-WN-S series

Ball/ball special internal design-WS series

Ball/roller special internal design-WNS series

Ball/ball heavy load internal design-WK series

Ball/roller heavy load internal design-WKN series

### Description:

#### Water pump bearings

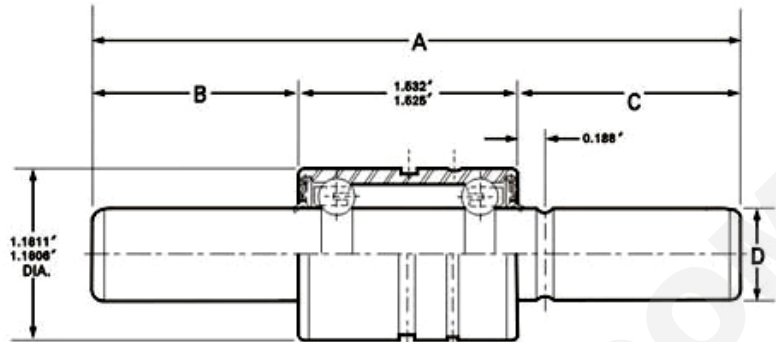
**Structure:** Water pump bearing is the most important part of the water pump. Ref to FAG, Has W, W-S, WN, WN-S, WS, WNS, heavy load type WK, WKN type.

**Clearance:** Normal radial clearance is 15-35 $\mu$ m.

**Material:** The ball and the roller, rings and shaft of water pump bearings are made by GCr15 (100Cr6), the quenched surface hardness reaches 60-64HRC.

**Instruction:** Without special requirement, the working temperature is no higher than 120 $^{\circ}$ C

### Ball/ball internal design-W series

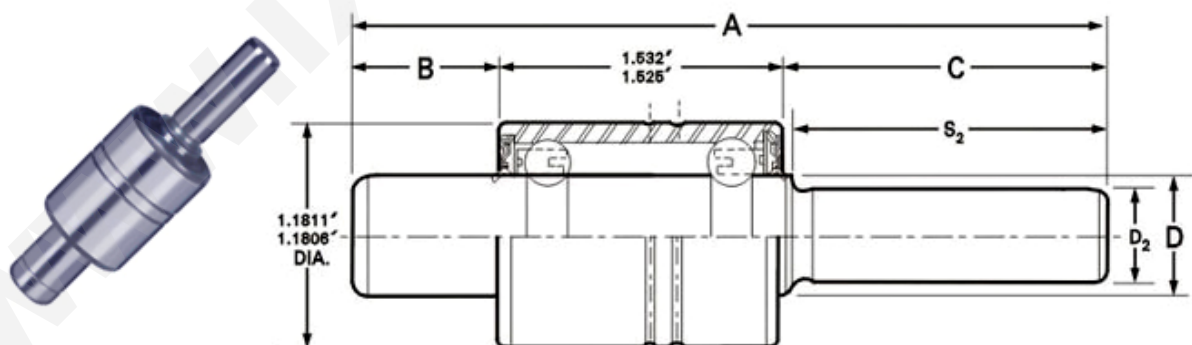


Bearing No.			Dimension (inch)				
China	NSK	FAG	A	B	C	D	E
WIB163073	885154	W2289	2.89	0.158	1.203	0.6267	
WIB163083	885165	W2325	3.25	0.16	1.561	0.6267	
WIB163090		W2355-3	3.552	0.67	1.353	0.6267	
WIB163093	885330	W2366	3.661	0.728	1.404	0.6267	
WIB163094		W2371	3.715	0.689	1.496	0.6267	
WIB163096		W2375-3	3.758	0.563	1.666	0.6267	0.189
WIB163098	885307	W2385	3.858	0.67	1.659	0.6267	
WIB1630102	885321	W2401-3	4.016	0.671	1.816	0.6267	
WIB1630103	885140	W2406-1	4.062	0.924	1.609	0.6267	0.189
WIB1630105	885329	W2415-1	4.15	0.801	1.819	0.6267	0.189
WIB1630106	885097	W2417-2	4.172	0.815	1.828	0.6267	0.189
WIB1630109	885107B	W2431	4.312	0.578	2.205	0.6267	
WIB1630110	885332	W2434	4.346	0.843	1.974	0.6267	0.189
WIB1630110A	885332	W2434-1	4.346	0.843	1.974	0.6267	0.189
WIB1630111	885528	W2435	4.359	0.766	2.062	0.6267	
WIB1630112	885167	W2439	4.39	0.939	1.922	0.6267	
WIB1630112A	885167D	W2440-4	4.4	1.151	1.718	0.6267	0.189
WIB1630112B		W2441-1	4.409	1.062	1.815	0.6267	
WIB1630114A	885156	W2446	4.469	1.081	1.859	0.6267	0.189
WIB1630116	885337A	W2454	4.547	0.806	2.212	0.6267	
WIB1630116A	885162	W2456	4.561	1.1	1.933	0.6267	0.189
WIB1630116B		W2456-1	4.567	1.07	1.969	0.6267	
WIB1630119	885118	W2468	4.687	1.471	1.687	0.6267	0.189
WIB1630119A		W2468-1	4.688	1.469	1.69	0.6267	0.189
WIB1630120	885221	W2472	4.72	1.44	1.751	0.6267	0.189
WIB1630121	885222	W2475	4.75	1.501	1.718	0.6267	0.189
WIB1630121A	885105	W2476-2	4.76	1.162	2.069	0.6267	
WIB1630122D	885476	W2481	4.81	1.336	1.945	0.6267	0.189
WIB1630122B	885168C-1	W2481-1	4.812	1.125	2.156	0.6267	0.25
WIB1630123		W2485	4.85	0.766	2.555	0.6267	

	Bearing No.			Dimension (inch)				
	China	NSK	FAG	A	B	C	D	E
WIB1630124		885100B	W2486-2	4.869	1.252	2.088	0.6267	0.189
WIB1630128		885141	W2503	5.031	1.016	2.484	0.6267	0.189
WIB1630128A		885151B	W2503-6	5.031	1.75	1.75	0.6267	0.189
WIB1630129		885169-1	W2507	5.078	1.252	2.297	0.6267	0.189
WIB1630135A		885437	W2532	5.326	2.002	1.795	0.6267	0.189
WIB1630136A		885158P	W2537	5.37	1.54	2.301	0.6267	0.189
WIB1630139			W2547	5.472	0.91	3.034	0.6267	0.189
WIB1630139A		885603	W2548-1	5.485	1.38	2.576	0.6267	0.189
WIB1630143		885144	W2562	5.625	1.578	2.516	0.6267	0.25
WIB1630146			W2575	5.755	2.515	1.711	0.6267	0.189
WIB1630146A		885694	W2575-2	5.75	2.43	1.789	0.6267	0.189
WIB1630162		885117	W2637	6.375	2.3	2.546	0.6267	0.189
WIB1630102		885321	W3399	3.996	0.689	1.778	0.6275	
WIB1630122		885168AA	W3481-5	4.812	1.585	1.699	0.6275	
WIB1630122A		885168AA	W3481-6	4.812	1.585	1.699	0.6275	0.189
WIB1630132		885521	W3520-2	5.202	1.582	2.089	0.6275	0.189
WIB1630132A		885521	W3520-3	5.202	1.582	2.092	0.6275	
WIB1630133		885611	W3522-1	5.222	1.174	2.519	0.6275	
WIB1630154		885613	W3607	6.072	1.172	3.371	0.6275	
WIB1630154A		885613	W3607-1	6.072	1.174	3.369	0.6275	0.189
WIB1630930S		8853300S	W6366	3.661	0.728	1.404	0.629	
WIB1630980S		8853070S	W6385	3.858	0.67	1.657	0.629	
WIB16301020S		8853210S	W6401-3	4.016	0.669	1.817	0.629	
WIB16301030S		8851400S2	W6406-1	4.062	0.924	1.609	0.629	0.189
WIB16301050S		8853290S	W6415-1	4.15	0.802	1.819	0.629	0.189
WIB16301090S		885111D0S2	W6428-1	4.281	1.078	1.672	0.629	0.189
WIB1630110C0S		885524S0S2	W6433-2	4.33	1.14	1.659	0.629	0.189
WIB16301100S		8853320S	W6434	4.346	0.843	1.97	0.629	0.189
WIB16301120S		8851670S2	W6439	4.391	0.94	1.922	0.629	0.189
WIB1630112A0S		885167D0S2	W6440-4	4.4	1.153	1.718	0.629	0.189
WIB16301130S		8851550S	W6445	4.453	1.252	1.672	0.629	0.189
WIB1630113A0S		8851560S	W6446	4.469	1.08	1.859	0.629	
WIB16301140S		8856970S2	W6450-2	4.5	1.26	1.709	0.629	0.36
WIB16301160S		885337A0S	W6454	4.547	0.809	2.209	0.629	
WIB1630116A0S		8851620S	W6456	4.561	1.1	1.932	0.629	0.189
WIB16301190S		8851180S2	W6468	4.687	1.472	1.687	0.629	0.189
WIB1630119B0S		8851180S	W6468-1	4.688	1.469	1.69	0.629	
WIB1630119A0S		885135S0S2	W6470	4.703	1.283	1.891	0.629	
WIB16301210S		8851050S2	W6476	4.76	1.162	2.069	0.629	0.189
WIB16301220S			W6478-1	4.788	1.237	2.022	0.629	0.189
WIB1630122D0S		8854760S2	W6481	4.81	1.334	1.945	0.629	0.189
WIB1630122B0S		885100B0S2	W6481-1	4.812	1.125	2.156	0.629	0.189

Bearing No.			Dimension (inch)				
China	NSK	FAG	A	B	C	D	E
WIB16301230S		W6484	4.844	1.454	1.862	0.629	0.189
WIB16301240S	885100B0S2	W6486-2	4.869	1.25	2.09	0.629	0.189
WIB16301280S	8851410S2	W6503	5.031	1.018	2.484	0.629	0.189
WIB16301290S	8851690S2	W6507	5.078	1.25	2.297	0.629	0.189
WIB16301340S	8851690S2	W6527	5.27	1.679	2.06	0.629	0.189
WIB16301360S	885093S0S2	W6534-1	5.344	2.065	1.751	0.629	0.189
WIB1630136A0S	885158P0S2	W6537	5.37	1.54	2.301	0.629	0.189
WIB16301380S	8851580S2	W6543	5.437	1.611	2.297	0.629	0.189
WIB16301390S	8856030S2	W6548-1	5.485	1.38	2.576	0.629	0.189
WIB16301410S	8852480S2	W6555	5.551	1.926	2.094	0.629	0.189
WIB1630141A0S		W6556	5.56	1.532	2.499	0.629	0.189
WIB1630143A0S	8851440S2	W6562	5.625	1.578	2.518	0.629	0.189
WIB16301430S	8851440S2	W6562-1	5.625	1.58	2.516	0.629	0.189
WIB16301460S	885694S0S2	W6575-1	5.75	2.43	1.789	0.629	0.189
WIB16301500S	885116C0S2	W6590-2	5.9	1.38	2.991	0.629	1.192
WIB16301620S	8851170S	W6637	6.375	2.3	2.546	0.629	0.189
WIB16301020S	8853210S2	W7399-1	3.996	0.691	1.776	0.6295	0.189
WIB1630122B0S	885168H0S2	W7481-1	4.813	1.127	2.156	0.6295	0.189
WIB16301220S	885168AA0S	W7481-6	4.812	1.584	1.699	0.6295	0.189
WIB16301320S	8855210S2	W7520-2	5.202	1.584	2.089	0.6295	0.189
WIB16301330S	8856110S	W7522-1	5.222	1.174	2.519	0.6295	0.189
WIB16301540S	8856130S	W7607-1	6.072	1.174	3.369	0.6295	0.189

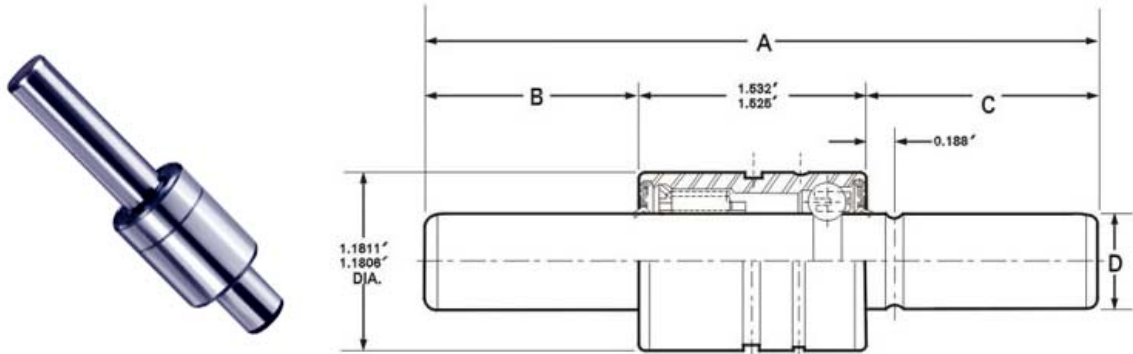
### Ball/ball internal design with shaft reduction-W-S series



Bearing No.			Dimension (inch)							
China	NSK	FAG	A	B	C	D	D1	S1	D2	S2
WIB163085	885122	W2334S	3.346	0.512	1.305	0.6267			0.4724	1.181
WIB163088		W2346-1S	3.467	0.486	1.452	0.6267			0.4739	1.329
WIB163088A		W2346-2S	3.469	0.562	1.378	0.6267			0.4724	1.278
WIB163090		W2355S	3.551	0.613	1.409	0.6267			0.4724	1.331

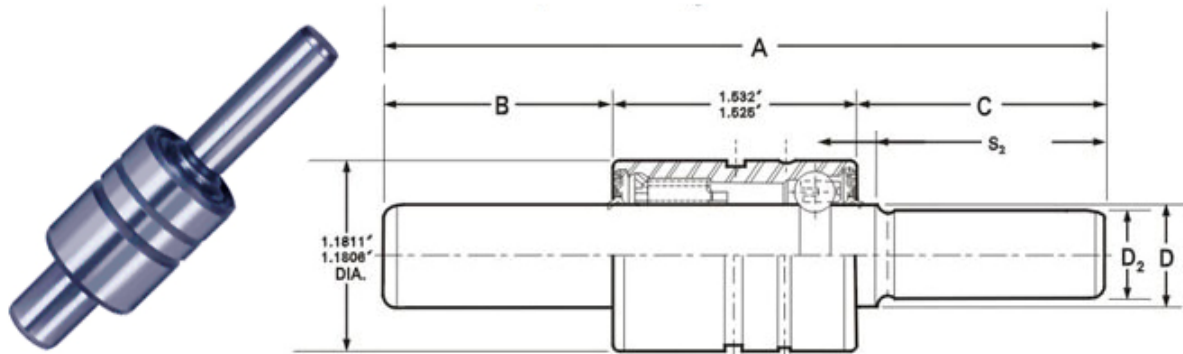
Bearing No.			Dimension (inch)							
China	NSK	FAG	A	B	C	D	D1	S1	D2	S2
WIB163092		W2364-5S	3.642	0.653	1.46	0.6267			0.4727	1.358
WIB163092A	885477	W2364S	3.642	0.991	1.121	0.6267			0.4739	1.043
WIB163093		W2366-1S	3.661	0.646	1.487	0.6267			0.4739	1.329
WIB163099	885474	W2387S	3.878	0.886	1.463	0.6267			0.4724	1.329
WIB1630100		W2391S	3.918	0.652	1.737	0.6267	0.4739	0.575	0.4739	1.625
WIB1630100A		W2394S	3.948	0.842	1.577	0.6267			0.4724	1.445
WIB1630101		W2397S	3.976	0.984	1.464	0.6267			0.4724	1.358
WIB1630102A	885147	W2404S	4.04	0.886	1.625	0.6267			0.499	1.5
WIB1630103		W2405-1S	4.055	0.652	1.874	0.6267			0.4724	1.693
WIB1630105C	BWF30-15-A-RR6	W2415-1S	4.154	0.927	1.697	0.6267			0.4724	1.565
WIB1630106		W2417S	4.173	1.183	1.46	0.6267			0.4727	1.319
WIB1630106A		W2418-3S	4.181	0.727	1.925	0.6267			0.4724	1.614
WIB1630107		W2420-1S	4.205	0.81	1.866	0.6267			0.4724	1.689
WIB1630109		W2431-2S	4.311	0.989	1.793	0.6267			0.4739	1.661
WIB1630115		W2453-1S	4.535	0.654	2.353	0.6267			0.4739	1.441
WIB1630124B	885326	W2488S	4.882	1.654	1.699	0.6267			0.4724	1.555
WIB1630102		W3399-2S	3.996	0.689	1.778	0.6267			0.4739	1.705
WIB1630850S	8851220S2	W6334S	3.346	0.514	1.303	0.629			0.4744	1.181
WIB1630920S	8854770S	W6364-1S	3.642	0.989	1.124	0.629			0.4759	1.065
WIB1630990S	8854740S2	W6387S	3.878	0.886	1.461	0.629			0.4744	1.329
WIB16301010S		W6397-2S	3.976	0.947	1.5	0.6267	0.5532	0.858	0.4744	1.382
WIB16301010S		W6397-3S	3.976	0.983	1.464	0.629			0.4744	1.358
WIB16301030S		W6407-1S	4.075	0.849	1.697	0.629	0.4744	0.709	0.4744	1.555
WIB16301040S		W6407-2S	4.075	0.772	1.774	0.629	0.4744	1.654		
WIB1630105B0S		W6415-1S	4.154	0.925	1.697	0.629	0.4744	1.565		
WIB1630106B0S	8854390S2	W6418S	4.18	0.991	1.66	0.629	0.5038	1.532		
WIB16301120S	8853270S2	W6440-5S	4.409	1.183	1.697	0.629	0.4744	1.565		
WIB1630115B0S		W6452-1S	4.528	0.652	2.35	0.629	0.4744	2.165		
WIB16301240S	8853260S2	W6488S	4.882	1.654	1.699	0.629	0.4739	1.555		
WIB16301020S		W7399-2S	3.996	0.691	1.776	0.6295	0.4759	1.705		

Ball/roller internal design-WN series



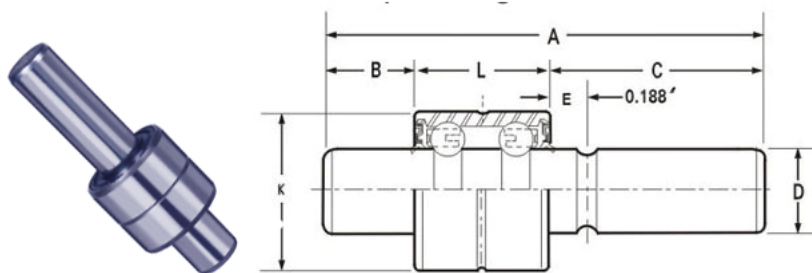
Bearing No.			Dimension (inch)			
CHINA	NSK	FAG	A	B	C	D
WIR163068		WN2269	2.693	0.986	0.177	0.6267
WIR163093		WN2366-4	3.661	0.727	1.405	0.6267
WIR163096	665343	WN2375-3	3.758	0.563	1.666	0.6267
WIR1630102		WN2401-5	4.016	0.669	1.818	0.6267
WIR1630104		WN2410	4.1	1.03	1.539	0.6267
WIR1630105	665329	WN2415-1	4.15	0.801	1.819	0.6267
WIR1630110		WN2434	4.346	0.844	1.974	0.6267
WIR1630114		WN2447	4.475	1.422	1.524	0.6267
WIR1630114A		WN2448-1	4.488	0.75	2.209	0.6267
WIR1630114B		WN2450-2	4.5	1.26	1.712	0.6267
WIR1630116	665337A	WN2454	4.547	0.807	2.212	0.6267
WIR1630116A		WN2456-1	4.561	1.1	1.933	0.6267
WIR1630117	665430S	WN2462-1	4.62	1.339	1.752	0.6267
WIR1630119	665333	WN2468-2	4.685	0.713	2.444	0.6267
WIR1630121		WN2475	4.751	1.102	2.12	0.6267
WIR1630121A		WN2476	4.76	1.162	2.069	0.6267
WIR1630126		WN2497	4.97	1.45	1.991	0.6267
WIR1630139B		WN2547	5.472	0.91	3.033	0.6267
WIR1630139A	665603	WN2548	5.485	1.38	2.576	0.6267
WIR1630139	665413	WN2548-1	5.485	1.63	2.326	0.6267
WIR1630102A		WN3399	3.996	0.689	1.779	0.6275
WIR1630132		WN3520-2	5.202	1.584	2.089	0.6275
WIR1630154		WN3607	6.072	1.172	3.372	0.6275
WIR16301540S	665613	WN3607-1	6.072	1.174	3.37	0.6275
WIR1630154A0S	665329ATL0S	WN6415-1	4.15	0.801	1.819	0.629
WIR1630116A0S	665337A0S2	WN6454	4.547	0.807	2.212	0.629
WIR16301160S	6653250S	WN6456	4.561	1.1	1.932	0.629
WIR16301390S	6656930S2	WN6548	5.485	1.38	2.576	0.629
WIR16301540S		WN7607-1	6.072	1.174	3.369	0.6295

### Ball/roller internal design with shaft reduction-WN-S series



Bearing No.			Dimension (inch)						
CHINA	NSK	FAG	A	B	C	D	D2	S2	
WIR163091		WN2358-1S	3.585	0.529	1.527	0.6267	0.4739	1.437	
WIR163092		WN2364-7S	3.642	0.591	1.522	0.6267	0.4724	1.432	
WIR163096		WN2375-4S	3.758	0.563	1.666	0.6267	0.4739	1.587	
WIR163099		WN2388-2S	3.889	0.728	1.632	0.6267	0.4739	1.554	
WIR1630101	665331	WN2397S	3.976	0.984	1.463	0.6267	0.4724	1.358	
WIR1630103		WN2405S	4.055	0.65	1.877	0.6267	0.4724	1.787	
WIR1630105		WN2413-2S	4.134	1.212	1.394	0.6267	0.4724	1.26	
WIR1630106		WN2419S	4.193	0.868	1.797	0.6267	0.4739	1.718	
WIR1630110		WN2434-4S	4.346	0.844	1.974	0.6267	0.4739	1.895	
WIR1630117		WN2461-1S	4.618	0.716	2.374	0.6267	0.4739	2.295	
WIR1630122		WN2479S	4.795	1.239	2.027	0.6267	0.4739	1.948	
WIR1630102		WN3399-2S	3.996	0.689	1.779	0.6275	0.4739	1.705	
WIR16301010S		WN6397S	3.976	0.984	1.463	0.629	0.4744	1.358	

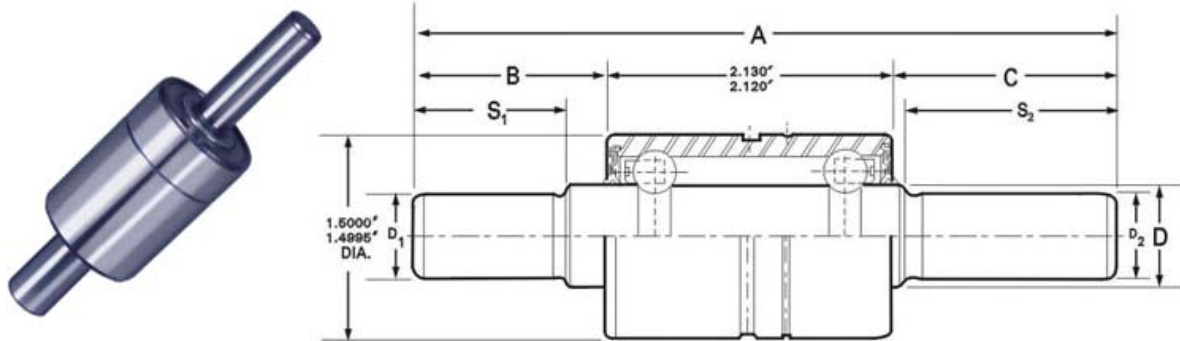
### Ball/ball special internal design-WS series



Bearing No.			Dimension (inch)						
CHINA	NSK	FAG	A	B	C	D	E	K	L
WIB163066		WS2263	2.593	0.985	0.079	0.6267		1.1811	1.529
WIB163071		WS2279	2.795	0.49	1.358	0.6267		1.1811	0.945
WIB122478		WS2307	3.071	0.531	1.476	0.4724		0.9448	1.063
WIB163079		WS2311	3.114	0.535	1.516	0.6267	0.189	1.1811	1.063
WIB132480		WS2315-1	3.15	0.559	1.276	0.5015		0.9448	1.314

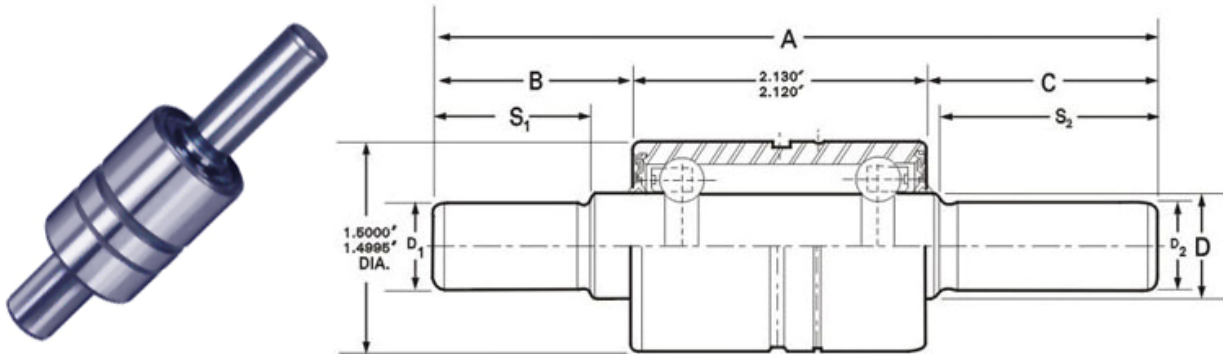
Bearing No.			Dimension (inch)						
CHINA	NSK	FAG	A	B	C	D	E	K	L
WIB163080		WS2315-2	3.151	0.62	1.468	0.6267		1.1811	1.063
WIB122483		WS2325	3.257	0.628	1.315	0.4739		0.9448	1.314
WIB163085	885342+	WS2332-1	3.327	0.679	1.585	0.6267	0.118	1.1811	1.063
WIB163085A		WS2333	3.332	0.68	1.589	0.6267		1.1811	1.063
WIB163085B		WS2334-6	3.346	0.669	1.614	0.6267		1.1811	1.063
WIB163087		WS2340-2	3.406	0.531	1.345	0.6267		1.1811	1.529
WIB153087		WS2344-1	3.445	0.531	1.496	0.5909	0.189	1.1811	1.417
WIB153087A		WS2344-4	3.445	0.531	1.496	0.5909		1.1811	1.417
WIB163087A		WS2344-6	3.445	0.531	1.496	0.6267		1.1811	1.417
WIB163088		WS2345	3.458	0.702	1.693	0.6267		1.1811	1.063
WIB163089		WS2349	3.494	0.758	1.319	0.6299		1.1811	1.417
WIB163089A		WS2351	3.514	0.825	1.63	0.6267		1.1811	1.059
WIB173691		WS2357-2	3.571	0.551	1.488	0.6693		1.4173	1.531
WIB163091		WS2358-1	3.583	0.669	1.5	0.6267		1.1811	1.413
WIB122692	BWF26-36A	WS2362	3.622	0.669	1.424	0.4724		1.0236	1.575
WIB122694	BWF26-14RUJ	WS2372	3.72	0.846	1.345	0.4724		1.0236	1.529
WIB23696		WS2377-2	3.78	0.669	1.654	0.7874		1.4173	1.457
WIB153098		WS2383	3.839	0.898	1.413	0.5909		1.1811	1.528
WIB163098		WS2385-7	3.858	0.672	1.657	0.6267		1.1811	1.529
WIB163098		WS2385-8	3.858	0.711	1.619	0.6299	0.189	1.1811	1.529
WIB1226102		WS2401	4.016	1.063	1.378	0.4728	1.0236	1.575	
WIB1938102	885881	WS2401-3	4.016	0.551	1.839	0.7465	1.5	1.625	0.6267
WIB2047111		WS2436	4.364	0.6	1.898	0.7878	1.8504	1.866	0.6304
WIB1938113		WS2443	4.436	1.126	1.685	0.7465	1.5	1.625	0.6267
WIB1938119	885786	WS2468-2	4.687	1.047	2.015	0.7465	1.5	1.625	
WIB1630123		WS2485	4.85	1.002	1.6	0.6267	1.1811	2.248	
WIB1630128		WS2503	5.039	0.907	1.884	0.6267	1.1811	2.248	
WIB1938130		WS2509	5.098	1.297	1.675	0.7465	1.5	2.125	0.6693
WIB3055130		WS2511	5.118	1.26	1.994	1.1803	2.1654	1.864	
WIB163098		WS3385-7	3.858	0.672	1.657	0.6276	0.157	1.1811	1.529
WIB122480		WS6315-1	3.15	0.559	1.276	0.5035		0.9448	1.314
WIB163080		WS6315-2	3.151	0.62	1.468	0.629	0.118	1.1811	1.063
WIB122485		WS6332	3.327	0.807	1.457	0.4759		0.9448	1.063
WIB163085		WS6332-1	3.327	0.679	1.585	0.629	0.118	1.1811	1.063
WIB1226900S		WS6354	3.543	0.551	1.46	0.4744	1.0236	1.531	
WIB1226920S		WS6364-4	3.642	1.638	1.473	0.4739	1.0236	1.531	
WIB1226940S		WS6372	3.72	0.846	1.345	0.4744	1.0236	1.529	
WIB119381020S	8858810S	WS6401-3	4.016	0.551	1.839	0.7485	1.5	1.625	
WIB19381130S	8858410S2	WS6443	4.436	1.126	1.685	0.7485	1.5	1.625	0.629
WIB119381190S		WS6468-2	4.687	1.047	2.015	0.7485	1.5	1.625	
WIB119381210S		WS6475B	4.75	1.315	1.81	0.7485	1.5	1.625	0.6267

Ball/roller special internal design-WNS series



Bearing No.			Dimension (inch)										
China	NSK	FAG	A	B	C	D	E	K	L	D1	S1	D2	S2
WIR163067		WNS2299-2	2.992	0.642	1.287	0.6267		1.1811	1.063			0.4739	1.209
WIR163083		WNS2325-1	3.25	0.719	1.468	0.6267		1.1811	1.063				
WIR122485	664101	WNS2332	3.327	0.807	1.457	0.4739		0.9448	1.063				
WIR163085		WNS2335	3.35	0.557	1.73	0.6267		1.1811	1.063			0.4739	1.633
WIR163086		WNS2337-1	3.379	0.571	1.627	0.6267		1.1811	1.181			0.4739	1.548
WIR163087A		WNS2340	3.406	0.531	1.345	0.6267		1.1811	1.529			0.4739	1.252
WIR153087		WNS2344-2	3.445	0.65	1.378	0.5909		1.1811	1.417				
WIR163087		WNS2344-6	3.445	0.531	1.496	0.6267		1.1811	1.417			0.4724	1.348
WIR163088		WNS2348-5	3.484	0.757	1.664	0.6267		1.1811	1.063			0.4724	1.565
WIR163090		WNS2353	3.53	0.648	1.643	0.6267		1.1811	1.239			0.4739	1.565
WIR153090		WNS2354-2	3.543	0.709	1.303	0.5909		1.1811	1.529			0.4739	1.22
WIR163091		WNS2360-1	3.602	0.524	1.346	0.6267		1.1811	1.732			0.4739	1.252
WIR1530104		WNS2411	4.114	1.03	1.555	0.5909		1.1811	1.529			0.4751	1.441
WIR1530106		WNS2417	4.173	1.089	1.555	0.5909		1.1811	1.529			0.4751	1.441
WIR1630108		WNS2426	4.264	0.727	2.008	0.6267		1.1811	1.529			0.4739	1.929
WIR1530109		WNS2430-2	4.301	0.699	1.555	0.5909	0.138	1.1811	2.047				
WIR1530119		WNS2466	4.665	1.063	1.555	0.5909		1.1811	2.047			0.4751	1.441
WIR2036122		WNS2482	4.823	1.142	1.638	0.7877		1.4173	2.047	0.5909	1.127	0.4746	1.608
WIR1530125		WNS2493	4.931	0.699	2.185	0.5909	0.531	1.1811	2.047				
WIR2555127		WNS2500	5	0.984	1.654	0.9867		2.1653	2.362			0.6321	1.614
WIR2555127A		WNS2500-1.	0.984	1.654	0.9867		2.1653	2.362			0.5928	1.614	
WIR2036131		WNS2514	5.146	1.299	1.799	0.7877		1.4173	2.047	0.5909	1.283	0.4746	1.676
WIR2547136		WNS2535-1	5.358	0.925	2.308	1		1.875	2.125	0.7465	0.82	0.6267	2.106
WIR2555157		WNS2616-6	6.165	1.395	2.408	0.9867	2.1651	2.362	0.7465	0.535	0.6267	2.283	
WIR163076		WNS6299-2	2.992	0.642	1.287	0.6287	1.1811	1.063	0.4759	1.209			

Ball/ball heavy load internal design-WK series

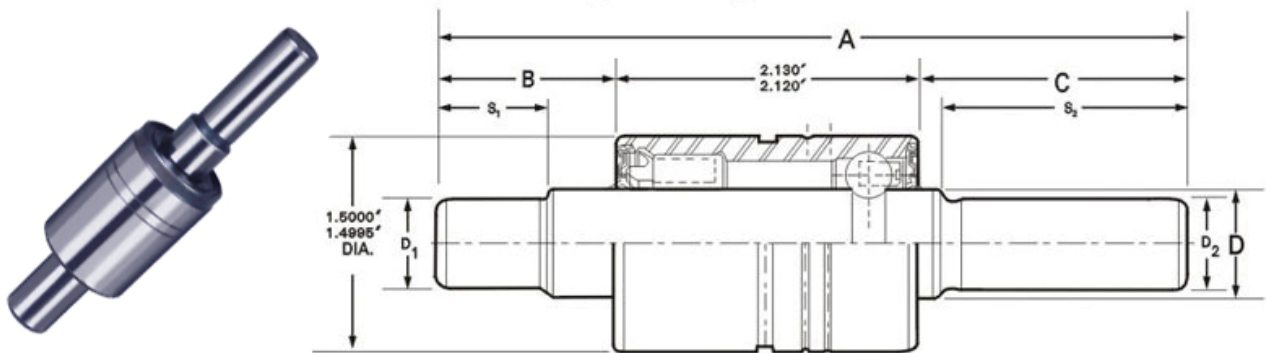


Bearing No.			Dimension (inch)							
China	NSK	FAG	A	B	C	D	D1	S1	D2	S2
WIB1938117		WK2461	4.616	0.531	1.959	0.7465			0.6267	1.86
WIB1938120		WK2474-2	4.744	1.016	1.603	0.7465			0.6267	1.496
WIB1938123		WK2484-1	4.847	1.222	1.5	0.7465	0.6267	0.55	0.6267	1.303
WIB1938125		WK2493	4.93	1	1.805	0.7465			0.6267	1.65
WIB1938126		WK2494-1	4.94	1.035	1.78	0.7465	0.6267	0.9	0.6267	1.6
WIB1938126A	885832	WK2495	4.95	1.215	1.61	0.7465	0.6267	1.08	0.6267	1.47
WIB1938127		WK2500-2	5	1.235	1.64	0.7465			0.6267	1.5
WIB1938127A	885875SC	WK2500A	5	1.049	1.826	0.7465	0.6275	0.35	0.6275	1.72
WIB1938127B		WK2501	5.01	1.147	1.738	0.7465			0.6267	1.583
WIB1938128	885869	WK2501-3	5.019	1.222	1.672	0.7465	0.6267	0.54	0.6267	1.547
WIB1938132	885852	WK2520	5.2	1.174	1.901	0.7465	0.6267	0.475	0.6267	1.7
WIB1938134B		WK2528-2	5.28	1.195	1.959	0.7465			0.6267	1.86
WIB1938135	885781	WK2531	5.31	1.47	1.715	0.7465			0.6267	1.615
WIB1938135A		WK2531-2	5.31	1.47	1.715	0.7465	0.6267	0.67	0.6267	1.615
WIB1938136	885735	WK2534	5.339	1.253	1.961	0.7465			0.6267	1.858
WIB1938137	885737	WK2537-1	5.37	1.425	1.82	0.7465	0.6267	0.485	0.6267	1.71
WIB1938137A	885870	WK2538-2	5.382	1.585	1.672	0.7465	0.6267	0.565	0.6267	1.547
WIB1938140	885821	WK2550	5.5	1.4	1.975	0.7465	0.6267	0.606	0.6267	1.88
WIB1938140A	885771	WK2553	5.531	1.292	2.114	0.7465	0.6267	0.542	0.6267	1.99
WIB1938142		WK2559-2	5.59	1.25	2.215	0.7465			0.6267	2.045
WIB1938142A	885851	WK2560	5.605	1.555	1.925	0.7465	0.6267	1.41	0.6267	1.785
WIB1938144	885862B	WK2564-6	5.649	1.214	2.31	0.7465	0.6267	0.482	0.6267	1.99
WIB1938146A	885802B	WK2575	5.75	1.75	1.875	0.7465			0.6267	1.73
WIB1938146B	885747	WK2575-1	5.75	1.43	2.195	0.7465	0.6267	0.54	0.6267	1.995
WIB1938146	885760	WK2575-4	5.748	1.43	2.193	0.7465	0.6267	1.201	0.6267	2.025
WIB1938149A	885740	WK2586	5.86	1.616	2.119	0.7465	0.6267	1.386	0.6267	1.955
WIB1938149B	885801	WK2587	5.87	2.105	1.64	0.7465			0.6267	1.5
WIB1938149		WK2587-1	5.87	2.105	1.64	0.7465			0.6267	1.5
WIB1938151	885764	WK2592	5.925	1.38	2.42	0.7465			0.6267	2.295
WIB1938151A		WK2596	5.962	1.214	2.623	0.7465	0.6267	0.482	0.6267	2.106

China	Bearing No.		Dimension (inch)							
	NSK	FAG	A	B	C	D	D1	S1	D2	S2
WIB1938151B		WK2596-1	5.96	1.22	2.615	0.7465	0.6267	0.48	0.6267	2.178
WIB1938152	885844	WK2600	6	1.4	2.475	0.7465	0.6267	0.601	0.6267	2.383
WIB1938153C	885865A	WK2602-2	6.02	1.825	2.07	0.7465	0.6267	1.122	0.6267	1.7
WIB1938153	885807C	WK2604	6.04	1.8	2.115	0.7465			0.6267	1.972
WIB1938154	885795SC	WK2607A	6.072	1.171	2.776	0.7465	0.6275	0.35	0.6275	2.25
WIB1938157	885746	WK2616-2	6.165	1.56	2.48	0.7465			0.6267	2.354
WIB1938158		WK2623	6.23	1.7	2.405	0.7465	0.6267	0.555	0.6267	2.23
WIB1938161		WK2634-1	6.34	1.84	2.375	0.7465	0.6267	1.32	0.6267	2.2
WIB1938162	885858	WK2637	6.375	1.4	2.85	0.7465	0.6267	0.596	0.6267	2.758
WIB19381200S		WK6474-2	4.744	1.016	1.603	0.7485			0.629	1.535
WIB1938120A0S		WK6474-2D	4.744	1.016	1.603	0.7485			0.4759	1.535
WIB19381230S		WK6484-1	4.847	1.222	1.5	0.7485	0.629	0.55	0.629	1.303
WIB19381250S		WK6493	4.93	1	1.805	0.7485			0.629	1.65
WIB1938126A0S	8858320S2	WK6495	4.95	1.215	1.609	0.7485	0.629	1.08	0.629	1.47
WIB19381270S	8858110S2	WK6500-2	5	1.235	1.64	0.7485			0.629	1.5
WIB1938127A0S	885775SC0S	WK6500B	5	1.049	1.826	0.7485	0.6267	0.35	0.629	1.72
WIB19381280S	8858690S	WK6501-3B	5.019	1.222	1.672	0.7485	0.6267	0.54	0.629	1.547
WIB19381320S	8858520S2	WK6520B	5.2	1.174	1.901	0.7485	0.6267	0.475	0.629	1.7
WIB1938135B0S		WK6530B	5.3	1.25	1.925	0.7485	0.6267	0.28	0.629	1.74
WIB19381350S	8857810S2	WK6531	5.31	1.47	1.715	0.7485			0.629	1.615
WIB1938135A0S		WK6531-3	5.31	1.185	2	0.7485			0.629	1.9
WIB19381360S	8857350S2	WK6534	5.34	1.255	1.96	0.7485			0.629	1.86
WIB19381370S	8857370S	WK6537-1B	5.37	1.425	1.82	0.7485	0.6267	0.485	0.629	1.71
WIB1938137A0S	8858100S2	WK6538	5.38	1.446	1.809	0.7485	0.629	1.3	0.629	1.67
WIB1938137B0S	8858700S	WK6538-2B	5.382	1.585	1.672	0.7485	0.6267	0.565	0.629	1.547
WIB19381400S	8858210S	WK6550B	5.5	1.4	1.975	0.7485	0.6267	0.606	0.629	1.88
WIB19381410S	8857200S2	WK6553-2	5.535	1.56	1.85	0.7485			0.629	1.725
WIB19381420S	8857190S2	WK6558	5.58	1.73	1.725	0.7485			0.629	1.615
WIB1938142A0S	8858150S2	WK6559-2	5.59	1.25	2.214	0.7485			0.629	2.115
WIB1938142B0S	8858510S2	WK6560	5.605	1.555	1.925	0.7485	0.629	1.41	0.629	1.785
WIB1938142C0S		WK6560-2B	5.605	1.32	2.16	0.7485	0.6267	0.6	0.629	1.988
WIB19381430S	885815A0S	WK6564	5.64	1.4	2.115	0.7485			0.629	1.945
WIB19381440S		WK6564-6B	5.649	1.214	2.31	0.7485	0.6267	0.482	0.629	1.99
WIB1938146A0S	8858180S2	WK6574-2	5.74	1.76	1.855	0.7485			0.629	1.685
WIB1938146B0S	8857470S	WK6575-1B	5.75	1.43	2.195	0.7485	0.6267	0.54	0.629	2.025
WIB19381460S	8857600S	WK6575-4	5.748	1.43	2.193	0.7485	0.629	1.252	0.629	2.025
WIB1938149A0S		WK6586	5.86	1.615	2.12	0.7465	0.629	1.444	0.629	1.955
WIB19381490S	88580	WK6587	5.87	2.105	1.64	0.7485			0.629	1.5
WIB1938151A0S	8857640S2	WK6592	5.925	1.38	2.42	0.7485			0.629	2.295
WIB19381510S		WK6596-1B	5.962	1.214	2.623	0.7485	0.6267	0.482	0.629	2.543
WIB19381520S	885775SC0S	WK6600B	6	1.4	2.475	0.7485	0.6267	0.601	0.629	2.383
WIB1938153C0S	8855865A0S	WK6602-2B	6.02	1.826	2.069	0.7485	0.6267	1.123	0.629	1.694

Bearing No.			Dimension (inch)							
China	NSK	FAG	A	B	C	D	D1	S1	D2	S2
WIB1938153BOS	8858570S	WK6602B	6.02	2.11	1.785	0.7485	0.6267	1.122	0.629	1.645
WIB1938153OS	885807C0S2	WK6604	6.04	1.8	2.115	0.7485			0.629	1.972
WIB1938154OS		WK6607B	6.072	1.172	2.775	0.7485	0.6267	0.46	0.629	2.25
WIB1938156OS	8857460S2	WK6616-2	6.165	1.561	2.479	0.7485			0.629	2.355
WIB1938158AOS		WK6622B	6.22	1.84	2.255	0.7485	0.6267	0.582	0.629	2.08
WIB1938158OS		WK6623B	6.23	1.7	2.405	0.7485	0.6267	0.555	0.629	2.23
WIB1938161OS	8857960S	WK6634-1	6.34	1.84	2.375	0.7485	0.629	1.305	0.629	2.2
WIB1938162OS	8858580S	WK6637B	6.375	1.4	2.85	0.7485	0.6267	0.596	0.629	2.758
WIB1938175OS		WK6688	6.88	2.068	2.687	0.7485	0.629	0.555	0.629	2.511

### Ball/roller heavy load internal design-WKN series



Bearing No.			Dimension (inch)							
China	NSK	FAG	A	B	C	D	D1	S1	D2	S2
WIR193891	665803	WKN2357	3.578	1.312	0.141	0.7465				
WIR1938115		WKN2452-1	4.52	1.411	0.984	0.7465				
WIR1938115A	665853	WKN2454D	4.541	0.924	1.491	0.7465			0.4739	1.406
WIR1938117B	665853	WKN2460D	4.6	1.06	1.415	0.7465	0.6275	0.35	0.4739	1.33
WIR1938120	665757	WKN2474-2	4.744	1.016	1.603	0.7465			0.6267	1.535
WIR1938122		WKN2480	4.803	0.941	1.737	0.7465			0.6267	1.583
WIR1938125	665729	WKN2493	4.937	1.14	1.672	0.7465			0.6267	1.537
WIR1938127		WKN2501	5.01	1.147	1.738	0.7465			0.6267	1.583
WIR1938128		WKN2502	5.02	1.1	1.794	0.7465			0.6267	1.69
WIR1938133		WKN2524	5.248	1.281	1.842	0.7465			0.6267	1.734
WIR1938133A		WKN2524D	5.248	1.281	1.842	0.7465			0.4739	1.734
WIR1938135		WKN2530	5.3	1.25	1.925	0.7465	0.6267	0.28	0.6267	1.76
WIR1938135A	665781	WKN2531	5.31	1.47	1.715	0.7465			0.6267	1.615
WIR1938135B	665879	WKN2531-3	5.31	1.185	2	0.7465			0.6267	1.9
WIR1938135C		WKN2531-8D	5.31	1.185	2	0.7465			0.4739	1.9
WIR1938135D		WKN2531-9D	5.31	1.47	1.715	0.7465			0.4739	1.615
WIR1938136	665735B	WKN2534	5.34	1.255	1.96	0.7465			0.6267	1.86

## Automobile Water Pump Bearings

	Bearing No.			Dimension (inch)							
	China	NSK	FAG	A	B	C	D	D1	S1	D2	S2
WIR1938137		665816	WKN2541-1	5.409	1.213	2.072	0.7465	0.6267	0.482	0.6267	1.555
WIR1938138			WKN2544-2	5.445	1.411	1.909	0.7465			0.6267	1.453
WIR1938142		665705	WKN2558-2	5.58	1.45	2.005	0.7465			0.6267	1.835
WIR1938144			WKN2564-6	5.649	1.214	2.31	0.7465	0.6267	0.482	0.6267	1.99
WIR1938146			WKN2575-1	5.75	1.43	2.193	0.7465	0.6267	0.54	0.6267	2.025
WIR1938146A		665760	WKN2575-4	5.748	1.43	2.193	0.7465	0.6267	1.201	0.6267	2.025
WIR1938149			WKN2588	5.88	1.45	2.305	0.7465			0.6267	2.135
WIR1938151			WKN2592	5.925	1.38	2.42	0.7465			0.6267	2.419
WIR1938151A		665714	WKN2592-2	5.925	1.38	2.42	0.7465	0.6267	0.507	0.6267	2.295
WIR1938151B		665877A	WKN2596-1	5.96	1.22	2.615	0.7465	0.6267	0.48	0.6267	2.178
WIR1938153			WKN2602-2	6.02	1.825	2.07	0.7465	0.6267	1.122	0.6267	1.7
WIR1938153A		665807	WKN2604	6.04	1.801	2.114	0.7465			0.6267	1.98
WIR1938156B		665746	WKN2616	6.165	1.56	2.48	0.7465			0.6267	2.355
WIR1938158		665812	WKN2622	6.22	1.84	2.255	0.7465	0.6267	0.582	0.6267	2.08
WIR1938158A			WKN2622-1D	6.22	1.84	2.255	0.7465	0.6267	0.582	0.4739	2.08
WIR1938158B		665707	WKN2623	6.23	1.7	2.405	0.7465	0.6267	0.555	0.6267	2.23
WIR1938159A			WKN2624	6.247	1.38	2.742	0.7465	0.6267	0.507	0.6267	2.437
WIR1938161		665761	WKN2631	6.319	1.749	2.445	0.7465			0.6267	2.323
WIR1938161A		665796	WKN2634-1	6.34	1.84	2.375	0.7465	0.6267	1.311	0.6267	2.2
WIR1938175		665813	WKN2688	6.88	2.068	2.687	0.7465	0.6267	0.555	0.6267	2.51
WIR1938175A		665824	WKN2688-1	6.88	1.378	3.377	0.7465	0.6267	0.555	0.6267	3.2
WIR1938175B			WKN2688-3D	6.88	1.378	3.377	0.7465	0.6267	0.555	0.4739	2.356
WIR1938175C			WKN2688-7D	6.88	2.068	2.687	0.7465			0.4739	2.588
WIR19381150S			WKN6454D	4.541	0.924	1.491	0.7485			0.4759	1.406
WIR19381200S			WKN6474-2	4.744	1.016	1.603	0.7485			0.629	1.535
WIR19381360S			WKN6534	5.34	1.255	1.96	0.7485			0.629	1.86
WIR19381420S			WKN6560-2B	5.605	1.32	2.16	0.7485	0.6267	0.6	0.629	1.988
WIR19381460S			WKN6575-1B	5.748	1.43	2.193	0.7485	0.6267	0.54	0.629	2.025
WIR19381510S			WKN6592-2B	5.925	1.38	2.42	0.7485	0.6267	0.507	0.629	2.295
WIR19381151A0S			WKN6596B	5.962	1.214	2.623	0.7485	0.6267	0.482	0.629	2.106
WIR19381580S			WKN6623B	6.23	1.7	2.405	0.7485	0.6267	0.555	0.629	2.23
WIR19381610S			WKN6634-1	6.34	1.841	2.374	0.7485	0.629	1.305	0.629	2.2