

Our factory specially focus on manufacturing middle and large size EMQ grade deep groove ball bearings, "Strictly fulfilling the contract and stable quality ensurance", let us gain good praise from all our old customers. Base on standing advancement,we already have enough technial ability to provide integrated solution for different ball bearing users.



For exact selection,please check our catalog below!

Catalog Index:

Technical description of deep groove ball bearings

Deep groove ball bearing-6000

Deep groove ball bearing-6200

Deep groove ball bearing-6300

Deep groove ball bearing-6400

Thin section deep groove ball bearing-6800

Thin section deep groove ball bearing-6900

Thin section deep groove ball bearing-6700

Deep groove ball bearing-16000

Wide deep groove ball bearing-62200

Wide deep groove ball bearing-62300

Technical description of IXIN ball bearings

Structure:

Open type,rubber seals,metal shields on one or both side(Z,ZZ,RS,2RS),Snap slot and ring on outer ring(NR),Machined brass cage MA,MB type for large bearings,Nylon cage type with TN.

Material:

BEARING STEEL INTERCHANGE								
China	Russia	U.S.A			Germany	Japan	U.K	France
GB,YB	ГОСТ	ASTM	AISI	SAE	DIN / VDEh	JIS	BS	NF
GCr6	ШX6	E50100		50100	105Cr2(1.3501)			100C3
GCr9	ШX9	E51100	51100	51100	105Cr4(1.3503)	SUJ1	534A99	100C5
GCr15	ШX15	E52100	52100	52100	100Cr6(1.3505)	SUJ2	534A99	100C6
GCr9SiMn		A485-Gr.1				SUJ3		
GCr15SiMn	ШX15CF				100CrMn6(1.3520)			

BEARING STEEL COMPOSTION						
Chrome Steel (China YB/T1—1980)						
Steel No.	Composition					
	C	Mn	Si	P	S	Cr
GCr9	1.00~1.10	0.25~0.45	0.15~0.35	≤0.025	≤0.025	0.90~1.20
GCr9SiMn	1.00~1.10	0.95~1.25	0.45~0.75	≤0.025	≤0.025	0.90~1.20

Deep groove ball bearings

GCr15	0.95~1.05	0.25~0.45	0.15~0.35	≤0.025	≤0.025	1.40~1.65
GCr15iMn	0.95~1.05	0.95~1.25	0.45~0.75	≤0.025	≤0.025	1.40~1.65

Stainless bearing steel (China GB/T3086—1982)							
Steel No.	Composition						
	C	Mn	Si	P	S	Cr	Mo
9Cr18	0.90~1.00	≤0.80	≤0.80	≤0.035	≤0.030	17.0~19.0	—
9Cr18Mo	0.95~1.10	≤0.80	≤0.80	≤0.035	≤0.030	16.0~18.0	0.40~0.70

Cementite Bearing Steel (China GB/T3203—1982)									
Steel No.	Composition								
	C	Mn	Si	P	S	Cr	Ni	Mo	Cu
G20CrMo	0.17~0.23	0.65~0.95	0.20~0.35	≤0.030	≤0.030	0.35~0.65	—	0.08~0.15	0.25
G20CrNiMo	0.17~0.23	0.60~0.90	0.15~0.40	≤0.030	≤0.030	0.35~0.65	0.40~0.70	0.15~0.30	0.25
G20CrNi2Mo	0.17~0.23	0.40~0.70	0.15~0.40	≤0.030	≤0.030	0.35~0.65	1.60~2.00	0.20~0.30	0.25
G20CrNi4	0.17~0.23	0.30~0.60	0.15~0.40	≤0.030	≤0.030	1.25~1.75	3.25~3.75	—	0.25

Accuracy: P0,P6,P5 is available for IXIN middle and large ball bearings, miniature ball bearings can be P4 grade.

Interchange of tolerance class						
Country	Standard	Tolerance class				
China	GB/T307	0 (G)	6 (E)	5 (D)	4 (C)	2 (B)
ISO	ISO492	0	6	5	4	2
Sweden	SKF	0	P6	P5	P4	P2
Germany	DIN 620/2	P0	P6	P5	P4	P2
U.S.A.	ANSI B3.14	ABEC1	ABEC3	ABEC5	ABEC7	ABEC9
Japan	JIS B1514	0	6	5	4	2

Inner ring tolerance of ball bearings										
Accuracy	d	△dmp		Vdmp	Kia	Sia	Sd	△Bs		VBs
(um)	(mm)	Upper	Lower	max	max	max	max	Upper	Lower	max
P0	2.5-10	0	-8	6	10			0	-120	15
	10-18	0	-8	6	10			0	-120	20
	18-30	0	-10	8	13			0	-120	20
	30-50	0	-12	9	15			0	-120	20
	50-80	0	-15	11	20			0	-120	25
P6	2.5-10	0	-7	5	6			0	-120	15
	10-18	0	-7	5	7			0	-120	20
	18-30	0	-8	6	8			0	-120	20
	30-50	0	-10	8	10			0	-120	20
	50-80	0	-12	9	10			0	-150	25
P5	2.5-10	0	-5	4	4	7	7	0	-40	5

Deep groove ball bearings

10-18	0	-6	4	4	7	7	0	-80	5
18-30	0	-6	5	4	8	8	0	-120	5
30-50	0	-8	6	5	8	8	0	-120	5
50-80	0	-9	7	5	8	8	0	-150	6

Outer ring tolerance of ball bearings										
Accuracy (<i>um</i>)	d (mm)	ΔDmp		VDmp	Kea	Sea	Sd	ΔCs		VCs
		Upper	Lower	max	max	max	max	Upper	Lower	max
P0	6-18	0	-8	6	15			0	-120	15
	18-30	0	-9	7	15			0	-120	20
	30-50	0	-11	8	20			0	-120	20
	50-80	0	-13	10	25			0	-120	20
	80-120	0	-15	11	35			0	-120	25
P6	6-18	0	-7	5	8			0	-120	15
	18-30	0	-8	6	9			0	-120	20
	30-50	0	-9	7	10			0	-120	20
	50-80	0	-11	8	13			0	-120	20
	80-120	0	-13	10	18			0	-150	25
P5	6-18	0	-5		5	8	8	0	-40	5
	18-30	0	-6		6	8	8	0	-80	5
	30-50	0	-7		7	8	8	0	-120	5
	50-80	0	-9		8	10	8	0	-120	6
	80-120	0	-10		10	11	9	0	-150	8

Clearance of radial ball bearings (*um*)-China GB/T 4604 (ISO 5753)

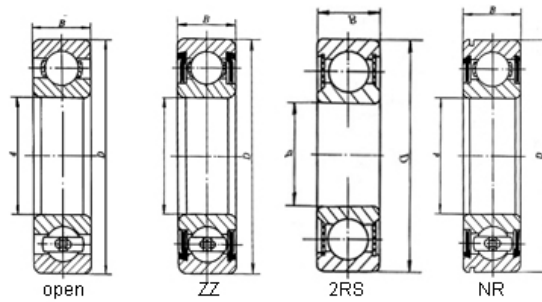
d (mm)		C2		C0		C3		C4		C5	
from	to.	min.	max	min.	max	min.	max	min.	max	min.	max
2.5	6	1	8	5	15	10	20	15	25	21	33
6	10	2	9	6	17	12	25	19	33	27	42
10	14	2	10	6	19	13	26	21	35	30	48
14	18	3	12	8	21	15	28	23	37	32	50
18	24	4	14	10	23	17	30	25	39	34	52
24	30	5	16	11	24	19	35	29	46	40	58
30	40	6	18	13	29	23	40	34	53	46	66
40	50	6	19	14	31	25	44	37	57	50	71
50	65	7	21	16	36	30	50	45	69	62	88
65	80	8	24	18	40	35	60	54	83	76	108
80	100	9	27	22	48	42	70	64	96	89	124
100	120	10	31	25	56	50	83	75	114	105	145
120	140	10	38	30	68	60	100	90	135	125	175
140	160	15	44	35	80	70	120	110	161	150	210

Working Vibration and Noise of ball bearings – It’s key parameter for high performance ball bearings.

d (mm)	S0910 Vibration Acceleration (dB)												BVT-1 Vibration speed (µm/s)											
	60 series				62 series				63 series				V			V1			V2			V3		
	Z	Z1	Z2	Z3	Z	Z1	Z2	Z3	Z	Z1	Z2	Z3	low		high	low	m	high	low	m	high	low	m	high
3	35	34	32	28	36	35	32	30	37	36	33	31	80	44	44	60	35	32	48	26	22	31	16	15
4	35	34	32	28	36	35	32	30	37	36	33	31	80	44	44	60	35	32	48	26	22	31	16	15
5	37	36	34	30	38	37	34	32	39	37	35	33	110	72	60	74	48	40	58	36	30	35	21	18
6	37	36	34	30	38	37	34	32	39	37	35	33	110	72	60	74	48	40	58	36	30	35	21	18
7	39	38	35	31	40	38	36	34	-	-	-	-	130	96	80	92	66	54	72	48	40	44	28	24
8	39	38	35	31	40	38	36	34	-	-	-	-	130	96	80	92	66	54	72	48	40	44	28	24
9	41	40	36	32	42	40	37	35	-	-	-	-	130	96	80	92	66	54	72	48	40	44	28	24
10	43	42	38	33	44	42	39	35	46	44	40	37	160	120	100	120	80	70	90	60	50	55	35	30
12	44	43	39	34	45	43	39	35	47	45	40	37	160	120	100	120	80	70	90	60	50	55	35	30
15	45	44	40	35	46	44	41	36	48	46	42	38	210	150	120	150	100	85	110	78	60	65	46	35
17	46	44	40	35	47	45	41	36	49	47	42	38	210	150	120	150	100	85	110	78	60	65	46	35
20	47	45	41	36	48	46	42	38	50	48	43	39	260	190	150	180	125	100	130	100	75	80	60	45
22	47	45	41	36	48	46	42	38	50	48	43	39	260	190	150	180	125	100	130	100	75	80	60	45
25	48	46	42	38	49	47	43	40	51	49	44	41	260	190	150	180	125	100	130	100	75	80	60	45
28	49	47	43	39	50	48	44	41	52	50	45	42	260	190	150	180	125	100	130	100	75	80	60	45
30	49	47	43	39	50	48	44	41	52	50	45	42	300	240	190	200	150	130	150	120	100	90	75	60
32	50	48	44	40	51	49	45	42	53	51	46	43	300	240	190	200	150	130	150	120	100	90	75	60
35	51	49	45	41	52	50	46	43	54	52	47	44	300	240	190	200	150	130	150	120	100	90	75	60
40	53	51	46	42	54	52	47	44	56	54	49	45	360	300	260	240	180	160	180	150	130	110	90	80
45	55	53	48	45	56	54	49	46	58	56	51	47	360	300	260	240	180	160	180	150	130	110	90	80
50	57	54	50	47	58	55	51	48	60	57	53	49	420	320	320	280	200	200	210	160	160	125	100	100
55	59	56	52	49	60	57	53	50	62	59	54	51	420	360	360	280	220	200	210	180	180	125	110	110
60	61	58	54	51	62	59	54	51	64	61	56	53	480	360	440	320	220	240	240	180	200	145	110	130
65	49	48	46	-	50	49	47	42	51	50	48	43	300	260	420	180	160	240	130	100	150	105	80	105
70	50	49	47	-	51	50	48	43	52	51	49	44	360	310	460	200	180	280	150	120	200	110	90	135
75	51	50	48	-	52	51	49	44	53	52	50	45	360	310	460	200	180	280	150	120	200	110	90	135
80	52	51	49	-	53	52	50	45	54	53	51	46	420	360	540	240	210	320	180	120	240	130	110	160
85	53	52	50	-	54	53	51	46	56	55	52	47	420	360	540	240	210	320	180	150	240	130	110	160
90	54	53	52	-	56	55	53	48	58	57	54	49	480	420	600	290	250	370	210	180	270	145	125	180
95	56	55	54	-	58	57	55	50	60	59	56	51	480	420	600	290	250	370	210	180	270	145	125	180
100	58	57	56	-	60	59	57	52	62	61	58	53	560	490	670	340	300	420	250	215	310	170	145	200
105	60	59	58	-	62	61	59	54	64	63	60	55	560	490	670	340	300	420	250	215	310	170	145	200
110	62	61	60	-	64	63	61	56	66	65	62	57	640	570	750	400	350	480	290	260	350	190	175	225
120	64	63	62	-	66	65	63	58	68	67	64	59	640	570	750	400	350	480	290	260	350	190	175	225

Lubrication: As per customer’s requests.

Deep groove ball bearing-6000

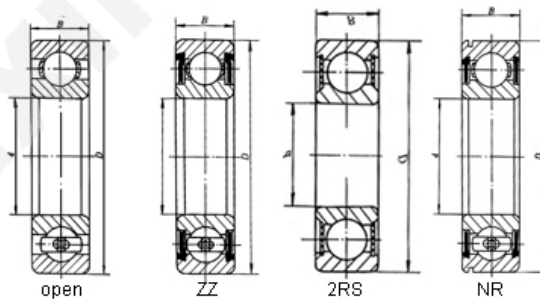


Bearing No.				Dimension (mm)				Limiting speed(rpm)		Load rating(KN)		Mass
open	ZZ	2RS	NR	d	D	B	rsmin	grease	oil	Cr	Cor	(kg)
6000	ZZ	2RS	NR	10	26	8	0.3	30000	36000	4.55	1.96	0.019
6001	ZZ	2RS	NR	12	28	8	0.3	26000	30000	5.1	2.39	0.021
6002	ZZ	2RS	NR	15	32	9	0.3	22000	26000	5.6	2.84	0.03
6003	ZZ	2RS	NR	17	35	10	0.3	20000	24000	6.8	3.35	0.039
6004	ZZ	2RS	NR	20	42	12	0.6	18000	21000	9.4	5.05	0.069
6005	ZZ	2RS	NR	25	47	12	0.6	15000	18000	10.1	5.85	0.08
6006	ZZ	2RS	NR	30	55	13	1	13000	15000	13.2	8.3	0.116
6007	ZZ	2RS	NR	35	62	14	1	12000	14000	16	10.3	0.155
6008	ZZ	2RS	NR	40	68	15	1	10000	12000	16.8	11.5	0.19
6009	ZZ	2RS	NR	45	75	16	1	9200	11000	21	15.1	0.237
6010	ZZ	2RS	NR	50	80	16	1	8400	9800	21.8	16.6	0.261
6011	ZZ	2RS	NR	55	90	18	1.1	7700	9000	28.3	21.2	0.388
6012	ZZ	2RS	NR	60	95	18	1.1	7000	8300	29.5	23.2	0.414
6013	ZZ	2RS	NR	65	100	18	1.1	6500	7700	30.5	25.2	0.421
6014	ZZ	2RS	NR	70	110	20	1.1	6100	7100	38	31	0.604
6015	ZZ	2RS	NR	75	115	20	1.1	5700	6700	39.5	33.5	0.649
6016	ZZ	2RS	NR	80	125	22	1.1	5300	6200	47.5	40	0.854
6017	ZZ	2RS	NR	85	130	22	1.1	5000	5900	49.5	43	0.89
6018	ZZ	2RS	NR	90	140	24	1.5	4700	5600	58	49.5	1.02
6019	ZZ	2RS	NR	95	145	24	1.5	4400	5200	60.5	54	1.08
6020	ZZ	2RS	NR	100	150	24	1.5	4300	5100	60	54	1.15
6021	ZZ	2RS	NR	105	160	26	2	4000	4700	72.5	65.5	1.59
6022	ZZ	2RS	NR	110	170	28	2	3800	4500	82	73	1.96
6024	ZZ	2RS	NR	120	180	28	2	3600	4200	85	79.5	2.07
6026	ZZ	2RS	NR	130	200	33	2	3200	3800	106	101	3.16
6028	ZZ	2RS	NR	140	210	33	2	3000	3600	110	109	3.35
6030	ZZ	2RS	NR	150	225	35	2.1	2800	3200	132	125	3.903
6032 M				160	240	38	2.1	2100	2700	145	138	4.83
6034 M				170	260	42	2.1	2000	2500	170	170	6.5
6036 M				180	280	46	2.1	2100	2600	188	198	8.51
6038 M				190	290	46	2.1	2000	2500	188	200	8.865
6040 M				200	310	51	2.1	1900	2400	205	225	11.64

Deep groove ball bearings

Bearing No.				Dimension (mm)				Limiting speed(rpm)		Load rating(KN)		Mass
open	ZZ	2RS	NR	d	D	B	rsmin	grease	oil	Cr	Cor	(kg)
6044 M				220	340	56	3	1700	2200	252	268	18
6048 M				240	360	56	3	1600	1900	270	292	20
6052 M				260	400	65	4	1400	1700	292	372	28.8
6056 M				280	420	65	4	1300	1600	305	408	32.1
6060 M				300	460	74	4	1200	1500	355	490	43.8
6064 M				320	480	74	4	1100	1300	345	510	48.4
6068 M				340	520	82	5	440	660	1000	1300	62.3
6072 M				360	540	82	5	460	720	1000	1300	65.3
6076 M				380	560	82	5	455	725	950	1200	68
6080 M				400	600	90	5	510	825	900	1100	88.4
6088 M				440	650	94	6	550	965	850	1000	106
6092 M				460	680	100	6	605	1080	800	950	123
6096 M				480	700	100	6	605	1090	750	900	127
60/500 M				500	720	100	6	630	1170	750	900	131
60/530 M				530	780	112	6	680	1300	700	850	184
60/600 M				600	870	118	6	790	1640	600	700	236
60/630 M				630	920	128	7.5	750	1620	560	670	285
60/670 M				670	980	136	7.5	765	1730	500	600	351
60/710 M				710	1030	140	7.5	1020	2310	560	375	386
60/750 M				750	1090	150	7.5	995	2360	450	530	485

Deep groove ball bearing-6200

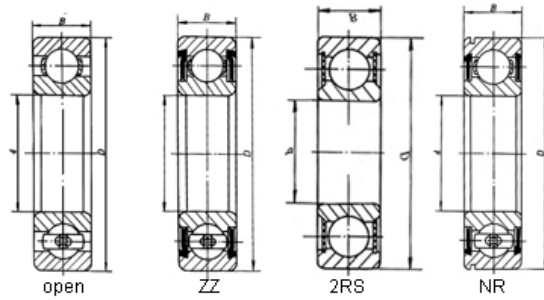


Bearing No.				Dimension (mm)				Limiting speed(rpm)		Load rating(KN)		Mass
open	ZZ	2RS	NR	d	D	B	rsmin	grease	oil	Cr	Cor	(kg)
6200	ZZ	2RS	NR	10	30	9	0.6	25000	30000	5.1	2.39	0.032
6201	ZZ	2RS	NR	12	32	10	0.6	22000	26000	6.1	2.75	0.037
6202	ZZ	2RS	NR	15	35	11	0.6	19000	23000	7.75	3.6	0.045
6203	ZZ	2RS	NR	17	40	12	0.6	18000	21000	9.6	4.6	0.066
6204	ZZ	2RS	NR	20	47	14	1	16000	18000	12.8	6.65	0.106
6205	ZZ	2RS	NR	25	52	15	1	13000	15000	14	7.85	0.128
6206	ZZ	2RS	NR	30	62	16	1	11000	13000	19.5	11.3	0.199
6207	ZZ	2RS	NR	35	72	17	1.1	9800	11000	25.7	15.3	0.288

Deep groove ball bearings

Bearing No.				Dimension (mm)				Limiting speed(rpm)		Load rating(KN)		Mass
open	ZZ	2RS	NR	d	D	B	rsmin	grease	oil	Cr	Cor	(kg)
6208	ZZ	2RS	NR	40	80	18	1.1	8700	10000	29.1	17.8	0.366
6209	ZZ	2RS	NR	45	85	19	1.1	7800	9200	32.5	20.4	0.398
6210	ZZ	2RS	NR	50	90	20	1.1	7100	8300	35	23.2	0.454
6211	ZZ	2RS	NR	55	100	21	1.5	6400	7600	43.5	29.2	0.601
6212	ZZ	2RS	NR	60	110	22	1.5	6000	7000	52.5	36	0.783
6213	ZZ	2RS	NR	65	120	23	1.5	5500	6500	57.5	40	0.99
6214	ZZ	2RS	NR	70	125	24	1.5	5100	6000	62	44	1.07
6215	ZZ	2RS	NR	75	130	25	1.5	4800	5600	66	49.5	1.18
6216	ZZ	2RS	NR	80	140	26	2	4500	5300	72.5	53	1.4
6217	ZZ	2RS	NR	85	150	28	2	4200	5000	83.5	64	1.79
6218	ZZ	2RS	NR	90	160	30	2	4000	4700	96	71.5	2.15
6219	ZZ	2RS	NR	95	170	32	2.1	3700	4400	109	82	2.62
6220	ZZ	2RS	NR	100	180	34	2.1	3500	4200	122	93	3.14
6221	ZZ	2RS	NR	105	190	36	2.1	3400	4000	133	105	3.7
6222	ZZ	2RS	NR	110	200	38	2.1	3200	3800	155	117	4.36
6224	ZZ	2RS	NR	120	215	40	2.1	2900	3400	167	131	5.15
6226	ZZ	2RS	NR	130	230	40	3	2700	3100	167	146	5.82
6228 M				140	250	42	3	2400	2900	275	272	7.77
6230 M				150	270	45	3	2200	2600	203	199	9.78
6232 M				160	290	48	3	2000	2400	215	218	12.22
6234 M				170	310	52	4	1900	2300	245	260	15.241
6236 M				180	320	52	4	1800	2200	262	285	15.518
6238 M				190	340	55	4	1700	2000	285	322	18.691
6240 M				200	360	58	4	1600	1900	288	332	22.577
6244 M				220	400	65	4	1400	1700	355	365	36.5
6248 M				240	440	72	4	1200	1500	358	467	53.9
6252 M					480	80	5	400	540	1100	1400	67
6256 M					500	80	5	400	550	1100	1400	70.4
6260 M					540	85	5	465	670	1000	1300	87.8
6264 M					580	92	5	530	805	950	1200	111
6268 M					620	92	6	530	820	900	1100	129
6272 M					650	95	6	555	905	750	950	145

Deep groove ball bearing-6300

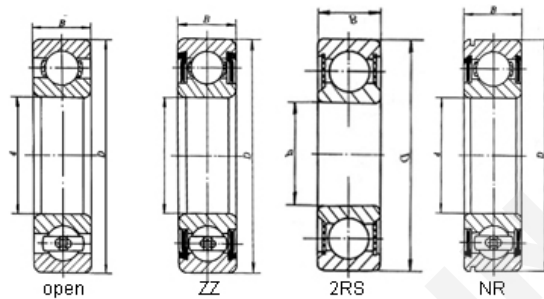


Bearing No.				Dimension (mm)				Limiting speed(rpm)		Load rating(KN)		Mass
open	ZZ	2RS	NR	d	D	B	rsm	grease	oil	Cr	Cor	(kg)
6300	ZZ	2RS	NR	10	35	11	0.6	23000	27000	8.2	3.5	0.053
6301	ZZ	2RS	NR	12	37	12	1	20000	24000	9.7	4.2	0.06
6302	ZZ	2RS	NR	15	42	13	1	17000	21000	11.4	5.45	0.082
6303	ZZ	2RS	NR	17	47	14	1	16000	19000	13.5	6.55	0.115
6304	ZZ	2RS	NR	20	52	15	1.1	14000	17000	15.9	7.9	0.144
6305	ZZ	2RS	NR	25	62	17	1.1	12000	14000	21.2	10.9	0.232
6306	ZZ	2RS	NR	30	72	19	1.1	10000	12000	26.7	15	0.36
6307	ZZ	2RS	NR	35	80	21	1.5	8800	10000	33.5	19.1	0.457
6308	ZZ	2RS	NR	40	90	23	1.5	7800	9200	40.5	24	0.63
6309	ZZ	2RS	NR	45	100	25	1.5	7000	8200	53	32	0.814
6310	ZZ	2RS	NR	50	110	27	2	6400	7500	62	38.5	1.07
6311	ZZ	2RS	NR	55	120	29	2	5800	6800	71.5	45	1.37
6312	ZZ	2RS	NR	60	130	31	2.1	5400	6300	82	52	1.73
6313	ZZ	2RS	NR	65	140	33	2.1	4900	5800	92.5	60	2.08
6314	ZZ	2RS	NR	70	150	35	2.1	4600	5400	104	68	2.52
6315	ZZ	2RS	NR	75	160	37	2.1	4800	5000	113	77	3.02
6316	ZZ	2RS	NR	80	170	39	2.1	4800	4700	123	86.5	3.59
6317	ZZ	2RS	NR	85	180	41	3	3800	4500	133	97	4.23
6318	ZZ	2RS	NR	90	190	43	3	3600	4200	143	107	4.91
6319	ZZ	2RS	NR	95	200	45	3	3300	3900	153	119	5.67
6320	ZZ	2RS	NR	100	215	47	3	3200	3700	173	141	7
6321	ZZ	2RS	NR	105	225	49	3	3000	3600	184	153	8.05
6322 M				110	240	50	3	2900	3400	205	179	9.54
6324 M				120	260	55	3	2400	3000	207	185	12.4
6326 M				130	280	58	4	2200	2800	229	214	15.3
6328 M				140	300	62	4	2100	2600	253	246	18.5
6330 M				150	320	65	4	2000	2400	284	274	26.2
6332 M				160	340	68	4	1800	2000	287	278	28.6
6334 M				170	360	72	4	1600	1900	355	325	34
6336 M				180	380	75	4	1500	1900	360	325	41.9
6338 M				190	400	78	5	1500	1800	415	355	48.2
6340 M				200	420	80	5	1300	1700	445	380	54.6

Deep groove ball bearings

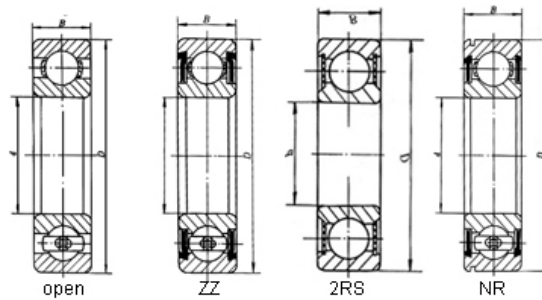
Bearing No.				Dimension (mm)				Limiting speed(rpm)		Load rating(KN)		Mass
open	ZZ	2RS	NR	d	D	B	rsmin	grease	oil	Cr	Cor	(kg)
6344 M				220	460	88	5	410	520	1300	1600	73.9
6348 M				240	500	95	5	470	625	1100	1400	94.4
6352 M				260	540	102	6	505	710	1000	1300	118
6356 M				280	580	108	6	570	840	950	1200	144

Deep groove ball bearing-6400



Bearing No.				Dimension (mm)				Limiting speed(rpm)		Load rating(KN)		Mass
open	ZZ	2RS	NR	d	D	B	rsmin	grease	oil	Cr	Cor	(kg)
6403	ZZ	2RS	NR	17	62	17	1.1	14000	16000	22.7	10.8	0.27
6404	ZZ	2RS	NR	20	72	19	1.1	12000	14000	28.5	13.9	0.4
6405	ZZ	2RS	NR	25	80	21	1.1	10000	12000	34.5	17.5	0.53
6406	ZZ	2RS	NR	30	90	23	1.5	8800	10000	43.5	23.9	0.735
6407	ZZ	2RS	NR	35	100	25	1.5	7800	9100	55	31	0.952
6408	ZZ	2RS	NR	40	110	27	2	7000	8200	63.5	36.5	1.23
6409	ZZ	2RS	NR	45	120	29	2	6300	7400	77	45	1.53
6410	ZZ	2RS	NR	50	130	31	2.1	5700	6700	83	49.5	1.88
6411	ZZ	2RS	NR	55	140	33	2.1	5200	6100	89	54	2.29
6412	ZZ	2RS	NR	60	150	35	2.1	4800	5700	102	64.5	2.77
6413	ZZ	2RS	NR	65	160	37	2.1	4300	5300	111	72.5	3.3
6414	ZZ	2RS	NR	70	180	42	3	3800	4800	128	89.5	4.83
6415	ZZ	2RS	NR	75	190	45	3	3600	4500	138	99	5.72
6416	ZZ	2RS	NR	80	200	48	3	3400	4300	164	125	6.76
6417	ZZ	2RS	NR	85	210	52	4	1700	3400	165	128	7.95
6418	ZZ	2RS	NR	90	225	54	4	1600	3200	184	149	11.4
6419 M				95	240	55	4	3000	3500	186	153	13.4
6420 M				100	250	58	4	2900	3400	206	175	15
6421 M				105	250	58	4	2900	3400	206	175	15
6422 M				110	280	65	4	2600	3000	247	227	21.3
6424 M				120	310	72	5	2300	2800	291	287	29
6426 M				130	340	78	5	2200	2500	300	298	38

Thin section deep groove ball bearing-6800

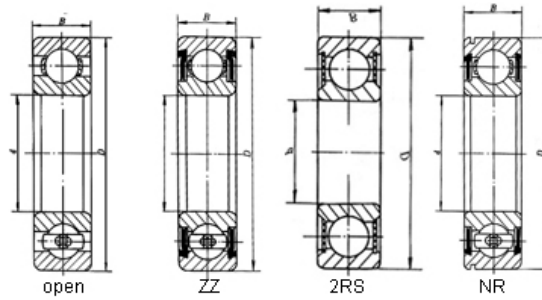


Bearing No.		Dimension (mm)						Load rating(KN)		Limiting speed(rpm)		Mass
open	ZZ	2RS	d	D	B	rsmmin	Cr	Cor	grease	oil	(kg)	
6800	61800	ZZ	2RS	10	19	5	0.3	1.72	0.84	24000	40000	0.005
6801	61801	ZZ	2RS	12	21	5	0.3	1.92	1.04	20000	38000	0.006
6802	61802	ZZ	2RS	15	24	5	0.3	2.07	1.26	17000	34000	0.007
6803	61803	ZZ	2RS	17	26	5	0.3	2.63	1.57	15000	30000	0.07
6804	61804	ZZ	2RS	20	32	7	0.3	4	2.47	13000	26000	0.017
6805	61805	ZZ	2RS	25	37	7	0.3	4.5	3.15	10000	22000	0.021
6806	61806	ZZ	2RS	30	42	7	0.3	4.7	3.65	9000	18000	0.024
6807	61807	ZZ	2RS	35	47	7	0.3	4.9	4.1	7500	16000	0.027
6808	61808	ZZ	2RS	40	52	7	0.3	4.9	4.35	6700	14000	0.033
6809	61809	ZZ	2RS	45	58	7	0.3	5.35	52.5	6000	13000	0.04
6810	61810	ZZ	2RS	50	65	7	0.3	6.4	6.2	5300	11000	0.05
6811	61811	ZZ	2RS	55	72	9	0.3	8.8	8.5	4800	10000	0.081
6812	61812	ZZ	2RS	60	78	10	0.3	11.5	10.9	4500	9500	0.103
6813	61813	ZZ	2RS	65	85	10	0.6	11.9	12.1	4000	8500	0.128
6814	61814	ZZ	2RS	70	90	10	0.6	12.1	12.7	3800	8000	0.134
6815	61815	ZZ	2RS	75	95	10	0.6	12.5	13.9	5600	7500	0.149
6816	61816	ZZ	2RS	80	100	10	0.6	12.7	14.5	3400	7100	0.151
6817	61817	ZZ	2RS	85	110	13	1	18.7	20	3200	6700	0.263
6818	61818	ZZ	2RS	90	115	13	1	19	21	2800	6300	0.276
6819	61819	ZZ	2RS	95	120	13	1	19.2	22	2800	6000	0.297
6820	61820	ZZ	2RS	100	125	13	1	19.6	23	2800	5600	0.31
6821	61821	ZZ	2RS	105	130	13	1	19.8	23.9	2500	5600	0.324
6822	61822	ZZ	2RS	110	140	16	1	28.1	32.5	2500	5300	0.497
6824	61824	ZZ	2RS	120	150	16	1	28.9	35.5	2200	4800	0.537
6826	61826	ZZ	2RS	130	165	18	1.1	37	44	1600	3400	0.758
6828	61828	ZZ	2RS	140	175	18	1.1	38.5	48	1900	4000	0.832
6830 M	61830 M			150	190	20	1.1	49.1	58.5	3000	3600	1.15
6832 M	61832 M			160	200	20	1.1	48.5	61	2800	3400	1.23
6834 M	61834 M			170	215	22	1.1	61.5	73.3	2300	2800	1.9
6836 M	61836 M			180	225	22	1.1	62.3	78.5	2400	3000	1.72
6838 M	61838 M			190	240	24	1.5	75.1	93.5	2200	2800	2.53
6840 M	61840 M			200	250	24	1.5	74	98	2200	2800	2.67

Deep groove ball bearings

Bearing No.		Dimension (mm)						Load rating(KN)		Limiting speed(rpm)		Mass (kg)	
		open	ZZ	2RS	d	D	B	rsm	Cr	Cor	grease		oil
6844 M	61844 M				220	270	24	1.5	76.5	97.8	1900	2400	2.9
6848 M	61848 M				240	300	28	2	83.5	108	1800	2200	4.48
6852 M	61852 M				260	320	28	2	101	148	1700	2000	4.84
6856 M	61856 M				280	350	33	2	133	191	1600	1900	7.2
6860 M	61860 M				380	38	2.1	166	233	1400	1700	10.3	
6864 M	61864 M				320	400	38	2.1	168	244	1300	1600	10.8
6868 M	61868 M				340	420	38	2.1	175	265	1200	1500	11.5
6872 M	61872 M				360	440	38	2.1	192	290	1100	1400	11.8
6876 M	61876 M				380	480	46	2.1	238	375	1000	1300	19.5
6880 M	61880 M				400	500	46	2.1	241	390	1000	1300	20.5
6884 M	61884 M				420	520	46	2.1	245	410	950	1200	21.4
6888 M	61888 M				440	540	46	2.1	249	425	900	1100	22.3
6892 M	61892 M				460	580	56	3	310	550	900	1100	34.3
6896 M	61896 M				480	600	56	3	315	575	850	1000	35.4
68/500 M	618/500 M				500	620	56	3	320	600	800	950	37.2
68/530 M	618/530 M				530	650	56	3	325	625	750	900	39.8
68/560 M	618/560 M				560	680	56	3	330	650	700	850	41.5
68/600 M	618/600 M				600	730	60	3	355	735	670	800	50.9
68/630 M	618/630 M				630	780	69	4	420	890	630	750	71.3
68/670 M	618/670 M				670	820	69	4	435	965	560	670	75.4
68/710 M	618/710 M				710	870	74	4	480	1100	530	630	92.6
68/750 M	618/750 M				750	920	78	4	525	1260	500	600	110
68/800 M	618/800 M				800	980	82	5	530	1310	450	530	132
68/850 M	618/850 M				850	1030	82	5	559	1421	430	500	140
68/900 M	618/900 M				900	1090	85	5	618	1532	380	450	160
68/1000 M	618/1000 M				1000	1220	100	6	637	1250	340	400	245
68/1060 M	618/1060 M				1060	1280	100	6	728	1500	300	360	260
68/1120 M	618/1120 M				1120	1360	106	6	765	1960	—	—	315
68/1140 M	618/1140 M				1140	1380	106	6	858	2390	—	—	324
68/1180 M	618/1180 M				1180	1420	106	6	792	2210	—	—	342
68/1320 M	618/1320 M				1320	1600	122	6	956	2350	—	—	500
68/1400 M	618/1400 M				1400	1700	132	7.5	1120	2750	—	—	615

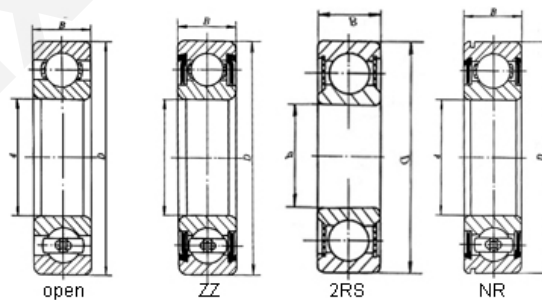
Thin section deep groove ball bearing-6900



Bearing No.		Dimension (mm)						Load rating(KN)		Limiting speed(rpm)		Mass (kg)
		open	ZZ	2RS	d	D	B	rsmin	Cr	Cor	grease	
6900	61900	ZZ	2RS	10	22	6	0.3	2.7	1.27	22000	38000	0.009
6901	61901	ZZ	2RS	12	24	6	0.3	2.89	1.46	20000	36000	0.01
6902	61902	ZZ	2RS	15	28	7	0.2	4.35	2.26	17000	30000	0.015
6903	61903	ZZ	2RS	17	30	7	0.3	4.6	2.55	15000	28000	0.017
6904	61904	ZZ	2RS	20	37	9	0.3	6.4	3.7	12000	22000	0.037
6905	61905	ZZ	2RS	25	42	9	0.3	7.05	4.55	10000	19000	0.042
6906	61906	ZZ	2RS	30	47	9	0.3	7.25	5	8500	17000	0.052
6907	61907	ZZ	2RS	35	55	10	0.6	10.6	7.25	7500	15000	0.075
6908	61908	ZZ	2RS	40	62	12	0.6	13.7	10	6300	13000	0.112
6909	61909	ZZ	2RS	45	68	12	0.6	14.1	10.9	5600	12000	0.126
6910	61910	ZZ	2RS	50	72	12	0.6	14.5	11.7	5300	11000	0.135
6911	61911	ZZ	2RS	55	80	13	1	16	13.3	4500	9500	0.189
6912	61912	ZZ	2RS	60	85	13	1	19.4	16.3	4300	9000	0.192
6913	61913	ZZ	2RS	65	90	13	1	17.4	16.1	4000	8500	0.218
6914	61914	ZZ	2RS	70	100	16	1	23.7	21.2	3600	7500	0.349
6915	61915	ZZ	2RS	75	105	16	1	24.4	22.6	5200	7100	0.364
6916	61916	ZZ	2RS	80	110	16	1	25	24	3200	6700	0.391
6917	61917	ZZ	2RS	85	120	18	1.1	32	29.6	2800	6300	0.55
6918	61918	ZZ	2RS	90	125	18	1.1	33	31.5	2800	6000	0.585
6919	61919	ZZ	2RS	95	130	18	1.1	33.5	33.5	2500	5600	0.601
6920	61920	ZZ	2RS	100	140	20	1.1	43	42	2600	5300	0.828
6921	61921	ZZ	2RS	105	145	20	1.1	42.5	42	2400	5300	0.856
6922	61922			110	150	20	1.1	43.5	44.5	2400	5000	0.893
6924	61924			120	165	22	1.1	53	54	2000	4500	1.21
6926	61926			130	180	24	1.5	69.6	70	3400	4100	1.86
6928	61928			140	190	24	1.5	71.3	74.8	3200	3800	1.98
6930 M	61930 M			150	210	28	2	85	90.5	2800	3400	2.59
6932 M	61932 M			160	220	28	2	87	96	2600	3200	2.71
6934 M	61934 M			170	230	28	2	88.8	100	2400	3000	2.85
6936 M	61936 M			180	250	33	2	119	133	2200	2800	4.16
6938 M	61938 M			190	260	33	2	117	133	2200	2800	5.18
6940 M	61940 M			200	280	38	2.1	149	168	2000	2600	7.28

Bearing No.		Dimension (mm)						Load rating(KN)		Limiting speed(rpm)		Mass (kg)	
		open	ZZ	2RS	d	D	B	r _{smin}	Cr	Cor	grease		oil
6944 M	61944 M				220	300	38	2.1	152	178	1900	2400	7.88
6948 M	61948 M				240	320	38	2.1	154	190	1800	2200	8.49
6952 M	61952 M				260	360	46	2.1	210	268	1600	1900	14
6956 M	61956 M				280	380	46	2.1	209	272	1500	1800	15.1
6960 M	61960 M				300	420	56	3	269	370	1300	1600	23.9
6964 M	61964 M				320	440	56	3	275	392	1200	1500	25.3
6968 M	61968 M				340	460	56	3	292	418	1100	1400	26.6
6972 M	61972 M				360	480	56	3	280	425	1100	1400	27.9
6976 M	61976 M				380	520	65	4	325	510	1000	1300	40
6980 M	61980 M				400	540	65	4	335	540	950	1200	42
6984 M	61984 M				420	560	65	4	340	570	900	1100	43.6
6988 M	61988 M				440	600	74	4	395	680	900	1100	60.2
6992 M	61992 M				460	620	74	4	405	720	850	1000	62.6
6996 M	61996 M				480	650	78	5	450	815	800	950	73.5
69/530 M	619/530 M				530	710	82	5	455	870	750	900	89.8
69/560 M	619/560 M				560	750	85	5	525	1040	670	800	105
69/600 M	619/600 M				600	800	90	5	550	1160	630	750	120
69/630 M	619/630 M				630	850	100	6	625	1350	600	700	163
69/670 M	619/670 M				670	900	103	6	675	1460	530	630	181
69/710 M	619/710 M				710	950	106	6	715	1640	600	220	220
69/750 M	619/750 M				750	1000	112	6	785	1840	480	560	245
69/800 M	619/800 M				800	1060	115	6	825	2050	430	500	275

Thin section deep groove ball bearing-6700

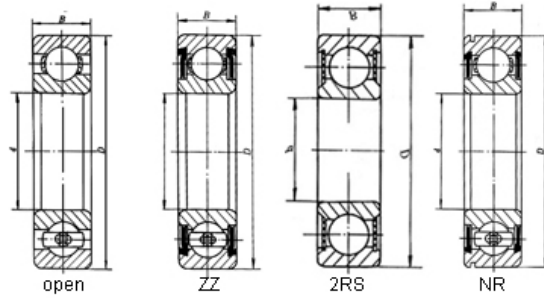


Bearing No.			Dimension (mm)				Load rating(N)		Limiting speed(rpm)		Mass (kg)
open	ZZ	2RS	d	D	B	r _{smin}	Cr	Cor	grease	oil	
6700	ZZ	2RS	10	15	3	0.3	1010	555	25000	42000	0.005
6701	ZZ	2RS	12	18	4	0.3	1070	555	22000	38000	0.005
6702	ZZ	2RS	15	21	4	0.3	1150	790	20000	34000	0.005
6703	ZZ	2RS	17	23	4	0.3	1200	865	15000	31000	0.007
6704	ZZ	2RS	20	27	4	0.3	1790	1320	13000	28000	0.015
6705	ZZ	2RS	25	32	4	0.3	1930	1550	11000	23000	0.017

Deep groove ball bearings

6706	ZZ	2RS	30	37	4	0.3	2050	1780	10000	20000	0.019
6707	ZZ	2RS	35	44	5	0.3	1862	1637	9500	17000	0.023

Deep groove ball bearing-16000

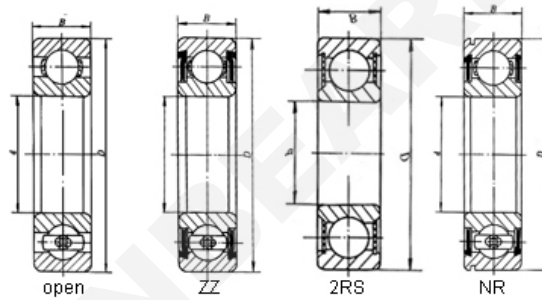


Bearing No.	Dimension (mm)				Load rating(N)		Limiting speed(rpm)		Mass (kg)
	d	D	B	rsmin	Cr	Cor	grease	oil	
16001	12	28	7	0.3	25000	33000	5.1	2.37	0.019
16002	15	32	8	0.3	23000	28000	5.6	2.83	0.027
16003	17	35	8	0.3	20000	24000	6	3.25	0.33
16004	20	42	8	0.3	17000	21000	7.9	4.45	0.048
16005	25	47	8	0.3	15000	18000	8.85	5.6	0.059
16006	30	55	9	0.3	12000	15000	11.2	7.35	0.087
16007	35	62	9	0.3	11000	13000	11.7	8.2	0.107
16008	40	68	9	0.3	9700	12000	12.6	9.65	0.13
16009	45	75	10	0.6	9000	11000	14.9	11.4	0.167
16010	50	80	10	0.6	8300	10000	15.4	12.4	0.175
16011	55	90	11	0.6	7500	9000	19.4	16.3	0.257
16012	60	95	11	0.6	7000	8200	20	17.5	0.218
16013	65	100	11	0.6	6500	7500	20.5	18.7	0.3
16014	70	110	13	0.6	6000	7000	26.8	23.6	0.441
16015	75	115	13	0.6	5500	6500	27.6	25.3	0.463
16016	80	125	14	0.6	5300	6200	32	29.6	0.621
16017	85	130	14	0.6	5000	6000	33	31.5	0.652
16018	90	140	16	1	4800	5600	41.5	39.5	0.873
16019	95	145	16	1	4600	5300	43	42	0.904
16020	100	150	16	1	4300	5000	42.5	42	0.945
16021	105	160	18	1	4000	4800	52	50.5	1.24
16022	110	170	19	1	3800	4500	57.5	56.5	1.51
16024	120	180	19	1	3500	4200	56.5	57.5	1.6
16026	130	200	22	1.1	3200	3600	75.5	77.5	2.4
16028	140	210	22	1.1	3000	3600	82.1	85	2
16030	150	225	24	1.1	91.9	98.5	2600	3000	3.62
16032	160	240	25	1.5	99	108	2400	3000	4.2
16034	170	260	28	1.5	118	130	2200	2800	5.71

Deep groove ball bearings

Bearing No.	Dimension (mm)				Load rating(N)		Limiting speed(rpm)		Mass (kg)
	d	D	B	r _{smin}	Cr	Cor	grease	oil	
16036	180	280	31	2	145	157	2000	2600	7.5
16038	190	290	31	2	149	168	2000	2600	7.78
16040	200	310	34	2	167	191	1900	2400	10
16044	220	340	37	2.1	180	217	1800	2200	13.1
16048	240	360	37	2.1	196	243	1700	2000	13.9
16052	260	400	44	3	237	310	1500	1800	21.1
16056 M	280	420	44	3	243	330	1400	1700	22.7
16060 M	300	460	50	4	285	405	1200	1500	31.5
16064 M	320	480	50	4	293	430	1100	1400	33.2
16068 M	340	520	57	4	345	520	1000	1300	45
16072 M	360	540	57	4	351	550	1000	1300	49
16076 M	380	560	57	4	377	620	950	1200	51

Wide deep groove ball bearing-62200

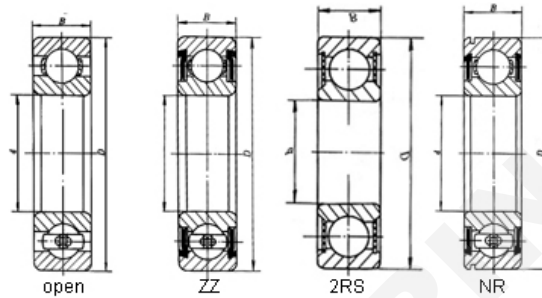


Bearing No.	Dimension (mm)				Load rating(N)		Limiting speed(rpm)		Mass (kg)
	d	D	B	r _{smin}	Cr	Cor	grease	oil	
62200	10	30	14	0.6	5.1	2.39	25000	30000	0.044
62201	12	32	14	0.6	6.1	2.75	22000	26000	0.053
62202	15	35	14	0.6	7.75	3.6	19000	23000	0.065
62203	17	40	16	0.6	9.6	4.6	18000	21000	0.096
62204	20	47	18	1	12.8	6.65	16000	18000	0.15
62205	25	52	18	1	14	7.85	13000	15000	0.178
62206	30	62	20	1	19.5	11.3	11000	13000	0.215
62207	35	72	23	1.1	25.7	15.3	9800	11000	0.31
62208	40	80	23	1.1	29.1	17.8	8700	10000	0.406
62209	45	85	23	1.1	32.5	20.4	7800	9200	0.455
62210	50	90	23	1.1	35	23.2	7100	8300	0.496
62211	55	100	25	1.5	43.5	29.2	6400	7600	0.81
62212	60	110	28	1.5	52.5	36	6000	7000	1.03
62213	65	120	31	1.5	57.5	40	5500	6500	1.5
62214	70	125	31	1.5	62	44	5100	6000	1.62
62215	75	130	31	1.5	66	49.5	4800	5600	1.72

Deep groove ball bearings

Bearing No.	Dimension (mm)				Load rating(N)		Limiting speed(rpm)		Mass (kg)
	d	D	B	r _{smin}	Cr	Cor	grease	oil	
62216	80	140	33	2	72.5	53	4500	5300	2.19
62217	85	150	36	2	83.5	64	4200	5000	2.53
62218	90	160	40	2	96	71.5	4000	4700	3.22
62219	95	170	43	2.1	109	82	3700	4400	4.2
62220	100	180	46	2.1	122	93	3500	4200	5

Wide deep groove ball bearing-62300



Bearing No.	Dimension (mm)				Load rating(N)		Limiting speed(rpm)		Mass (kg)
	d	D	B	r _{smin}	Cr	Cor	grease	oil	
62300	10	35	17	0.6	8.2	3.5	23000	27000	0.073
62301	12	37	17	1	9.7	4.2	20000	24000	0.0814
62302	15	42	17	1	11.4	5.45	17000	21000	0.105
62303	17	47	19	1	13.5	6.55	16000	19000	0.146
62304	20	52	21	1.1	15.9	7.9	14000	17000	0.195
62305	25	62	24	1.1	21.2	10.9	12000	14000	0.306
62306	30	72	27	1.1	26.7	15	10000	12000	0.478
62307	35	80	31	1.5	33.5	19.1	8800	10000	0.647
62308	40	90	33	1.5	40.5	24	7800	9200	0.885
62309	45	100	36	1.5	53	32	7000	8200	1.156
62310	50	110	40	2	62	38.5	6400	7500	1.498
62311	55	120	43	2	71.5	45	5800	6800	1.918
62312	60	130	46	2.1	82	52	5400	6300	2.422
62313	65	140	48	2.1	92.5	60	4900	5800	3.2
62314	70	150	51	2.1	104	68	4600	5400	3.9
62315	75	160	55	2.1	113	77	4300	5000	4.7
62316	80	170	58	2	123	86.5	4000	4700	5.7
62317	85	180	60	3	133	97	3800	4500	6.7
62318	90	190	64	3	143	107	3600	4200	7.9
62319	95	200	67	3	153	119	3300	3900	9.2
62320	100	215	73	3	192	78.5			12.4