

INDEX

Single row four point contact ball slewing bearing
Double row four point contact ball slewing bearing
Single row cross cylindrical roller slewing bearing
Triple row cylindrical roller slewing bearings
Single row four point contact ball slewing bearing-VU
Single row four point contact ball slewing bearing with flange-VLU
Single row four point contact ball slewing bearing-Inner gear
Single row four point contact ball slewing bearing-Outer gear
Cross cylindrical roller slewing bearing-XU
Cross cylindrical roller slewing bearing-Inner gear
Cross cylindrical roller slewing bearing-Outer gear
Ball-roller type slewing bearing-Outer gear

Specification:

Raceway Diameters: Standard models from 18" to 196"(480 mm to 5,000mm),inch type,customized dimension is available.

Capacity:

Thrust Loading : From 700 KN to 34,100 KN (7,670,000 Pounds)

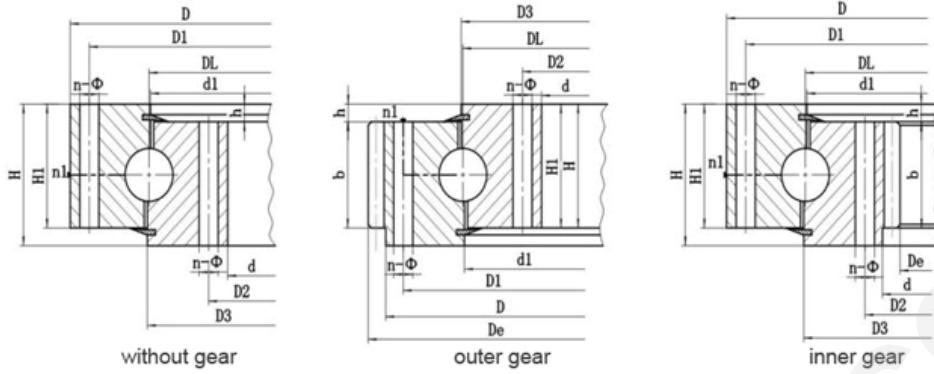
Gearing: Non-gear, External Gear, Internal Gear

Material:

Slewing bearings' material is available in Alloy steel (AISI4140 /GB42CrMo /DIN42CrMo4 /BS708A42 and carbon steel (AISI1045).



Single row four point contact ball slewing bearing



Bearing No.		Boundary (mm)			Mount Dimension (mm)			Structure (mm)			Gear data		Out Gear		Inner gear		Tangential		Mass							
Without gear	Outer gear	Inner gear	D	d	H	D1	D2	n	Φ	dm	L	n1	D3	d1	H1	h	b	x	m	De	z	De	z	Z10°N	T10°N	(kg)
010.20.200	011.20.200	—	280	120	60	248	152	12	16	M14	28	2	201	199	50	10	40	0	3	300	98	—	—	—	—	—
010.20.224	011.20.224	—	304	144	60	272	176	12	16	M14	28	2	225	223	50	10	40	0	3	312	105	—	—	—	—	—
010.20.250	011.20.250	—	330	170	60	298	202	18	16	M14	28	2	251	249	50	10	40	0	4	352	86	—	—	—	—	—
010.20.280	011.20.280	—	360	200	60	328	232	18	16	M14	28	2	281	279	50	10	40	0	4	384	94	—	—	—	—	—
010.25.315	011.25.315	013.25.315	408	222	70	372	258	20	18	M16	32	2	316	314	60	10	50	0	5	435	85	190	40	—	—	—
010.25.355	011.25.355	013.25.355	448	262	70	412	298	20	18	M16	32	2	356	354	60	10	50	0	5	475	93	235	49	—	—	—
010.25.400	011.25.400	013.25.400	493	307	70	457	343	24	18	M16	32	2	401	399	60	10	50	0	6	528	86	276	48	—	—	—
010.25.450	011.25.450	013.25.450	543	357	70	507	393	24	18	M16	32	2	451	449	100	10	50	0	6	576	94	324	56	—	—	—
010.30.500	011.30.500	013.30.500	602	398	80	566	434	20	18	M16	32	4	501	498	70	10	60	0.5	5	629	123	367	74	3.7	5.2	85
	012.30.500	014.30.500																	6	628.8	102	368.4	62	4.5	6.2	
010.25.500	011.25.500	013.25.500	602	398	80	566	434	20	18	M16	32	4	501	499	70	10	60	0.5	5	629	123	367	74	3.7	5.2	85
	012.25.500	014.25.500																	6	628.8	102	368.4	62	4.5	6.2	
010.30.560	011.30.560	013.30.560	662	458	80	626	494	24	18	M16	32	4	561	558	70	10	60	0.5	5	689	135	427	86	3.7	5.2	95
	012.30.560	014.30.560																	6	688.8	112	428.4	72	4.5	6.2	
010.25.560	011.25.560	013.25.560	662	458	80	626	494	24	18	M16	32	4	561	559	70	10	60	0.5	5	689	135	427	86	3.7	5.2	95
	012.25.560	014.25.560																	6	688.8	112	428.4	72	4.5	6.2	
010.30.630	011.30.630	013.30.630	732	528	80	696	564	24	18	M16	32	4	631	628	70	10	60	0.5	6	772.8	126	494.4	83	4.5	6.2	110
	012.30.630	014.30.630																	8	774.4	94	491.2	62	6	8.3	
010.25.630	011.25.630	013.25.630	732	528	80	696	564	24	18	M16	32	4	631	629	70	10	60	0.5	6	772.8	126	494.4	83	4.5	6.2	110
	012.25.630	014.25.630																	8	774.4	94	491.2	62	6	8.2	
010.30.710	011.30.710	013.30.710	812	608	80	776	644	24	18	M16	32	4	711	708	70	10	60	0.5	6	850.8	139	572.4	96	4.5	6.2	120
	012.30.710	014.30.710																	8	854.4	104	571.2	72	6	8.3	
010.25.710	011.25.710	013.25.710	812	608	80	776	644	24	18	M16	32	4	711	709	70	10	60	0.5	6	850.8	139	572.4	96	4.5	6.2	120
	012.25.710	014.25.710																	8	854.4	104	571.2	72	6	8.9	
010.40.800	011.40.800	013.40.800	922	678	100	878	722	30	22	M20	40	6	801	798	90	10	80	0.5	8	966.4	118	635.2	80	8	11.1	220
	012.40.800	014.40.800																	10	968	94	634	64	10	14	
010.30.800	011.30.800	013.30.800	922	678	100	878	722	30	22	M20	40	6	801	798	90	10	80	0.5	8	966.4	118	635.2	80	8	11.1	220
	012.30.800	014.30.800																	10	968	94	634	64	10	14.1	
010.40.900	011.40.900	013.40.900	1022	778	100	978	822	30	22	M20	40	6	901	898	90	10	80	0.5	8	1062.4	130	739.2	93	8	11.1	240
	012.40.900	014.40.900																	10	1068	104	734	74	10	14	

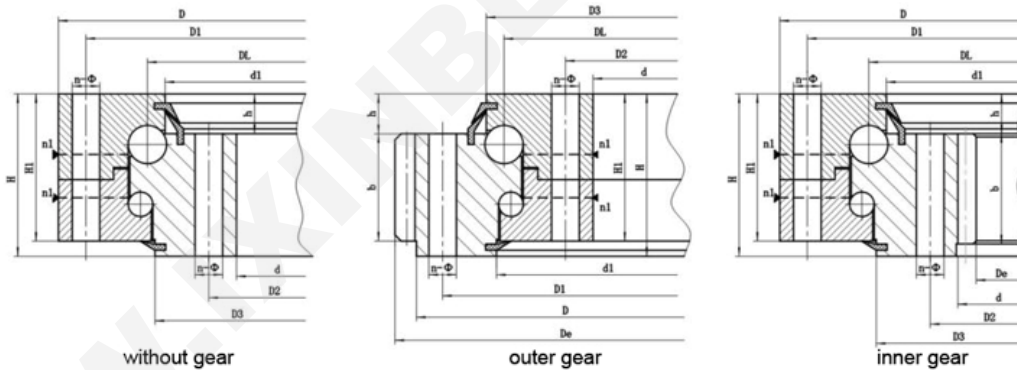
Slewing bearing

Bearing No.			Boundary (mm)			Mount Dimension (mm)					Structure (mm)					Gear data		Out Gear		Inner gear		Tangential		Mass		
Without gear	Outer gear	Inner gear	D	d	H	D1	D2	n	Ø	dm	L	n1	D3	d1	H1	h	b	x	m	De	z	De	z	Z10°N	T10°N	(kg)
010.30.900	011.30.900	013.30.900	1022	778	100	978	822	30	22	M20	40	6	901	898	90	10	80	0.5	8	1062.4	130	739.2	93	8	11.1	240
	012.30.900	014.30.900																		10	1068	104	734	74	10	14
010.40.1000	011.40.1000	013.40.1000	1122	878	100	1078	922	36	22	M20	40	6	1001	998	90	10	80	0.5	10	1188	116	824	83	10	14	270
	012.40.1000	014.40.1000																		12	1185.6	96	820.8	69	12	16.7
010.30.1000	011.30.1000	013.30.1000	1122	878	100	1078	922	36	22	M20	40	6	1001	998	90	10	80	0.5	10	1188	116	824	83	10	14	270
	012.30.1000	014.30.1000																		12	1185.6	96	820.8	69	12	16.7
010.40.1120	011.40.1120	013.40.1120	1242	998	100	1198	1042	36	22	M20	40	6	1121	1118	90	10	80	0.5	10	1298	127	944	95	10	14	300
	012.40.1120	014.40.1120																		12	1305.6	106	940.8	79	12	16.7
010.30.1120	011.30.1120	013.30.1120	1242	998	100	1198	1042	36	22	M20	40	6	1121	1118	90	10	80	0.5	10	1298	127	944	95	10	14	300
	012.30.1120	014.30.1120																		12	1305.6	106	940.8	79	12	16.7
010.45.1250	011.45.1250	013.45.1250	1390	1110	110	1337	1163	40	26	M24	48	5	1252	1248	100	10	90	0.5	12	1449.6	118	1049	88	13.5	18.8	420
	012.45.1250	014.45.1250																		14	1453.2	101	1042	75	15.8	21.9
010.35.1250	011.35.1250	013.35.1250	1390	1110	110	1337	1163	40	26	M24	48	5	1251	1248	100	10	90	0.5	12	1449.6	118	1049	88	13.5	18.8	420
	012.35.1250	014.35.1250																		14	1453.2	101	1042	75	15.8	21.9
010.45.1400	011.45.1400	013.45.1400	1540	1260	110	1487	1313	40	26	M24	48	5	1402	1398	100	10	90	0.5	12	1605.6	131	1193	100	13.5	18.8	480
	012.45.1400	014.45.1400																		14	1607.2	112	1196	86	15.5	21.9
010.35.1400	011.35.1400	013.35.1400	1540	1260	110	1487	1313	40	26	M24	48	5	1401	1398	100	10	90	0.5	12	1605.6	131	1193	100	13.5	18.8	480
	012.35.1400	014.35.1400																		14	1607.2	112	1196	86	15.8	21.9
011.45.1600	011.45.1600	013.45.1600	1740	1460	110	1687	1513	45	26	M24	48	5	1602	1598	100	10	90	0.5	14	1817.2	127	1392	100	15.8	21.9	550
	012.45.1600	014.45.1600																		16	1820.8	111	1382	87	18.1	25
010.35.1600	011.35.1600	013.35.1600	1740	1460	110	1687	1513	45	26	M24	48	5	1601	1598	100	10	90	0.5	14	1817.2	127	1392	100	15.8	21.9	550
	012.35.1600	014.35.1600																		16	1820.8	111	1382	87	18.1	25
010.45.1800	011.45.1800	013.45.1800	1940	1660	110	1887	1713	45	26	M24	48	5	1802	1798	100	10	90	0.5	14	2013.2	141	1574	113	15.8	21.9	610
	012.45.1800	014.45.1800																		16	2012.8	123	1574	99	18.1	25
010.35.1800	011.35.1800	013.35.1800	1940	1660	110	1887	1713	45	26	M24	48	5	1801	1798	100	10	90	0.5	14	2013.2	141	1574	113	15.8	21.9	610
	012.35.1800	014.35.1800																		16	2012.8	123	1574	99	18.1	25
010.60.2000	011.60.2000	013.60.2000	2178	1825	144	2110	1891	48	33	M30	60	8	2002	1998	132	12	120	0.5	16	2268.8	139	1734	109	24.1	33.3	1100
	012.60.2000	014.60.2000																		18	2264.4	123	1735	97	27.1	37.5
010.40.2000	011.40.2000	013.40.2000	2178	1825	144	2110	1891	48	33	M30	60	8	2001	1998	132	12	120	0.5	16	2268.8	139	1734	109	24.1	33.3	1100
	012.40.2000	014.40.2000																		18	2264.4	123	1735	97	27.1	37.5
010.60.2240	011.60.2240	013.60.2240	2418	2065	144	2350	2131	48	33	M30	60	8	2242	2238	132	12	120	0.5	16	2492.8	153	1990	125	24.1	33.3	1250
	012.60.2240	014.60.2240																		18	2498.4	136	1987	111	27.1	37.5
010.40.2240	011.40.2240	013.40.2240	2418	2065	144	2350	2131	48	33	M30	60	8	2241	2238	132	12	120	0.5	16	2492.8	153	1990	125	24.1	33.3	1250
	012.40.2240	014.40.2240																		18	2498.4	136	1987	111	27.1	37.5
010.60.2500	011.60.2500	013.60.2500	2678	2325	144	2610	2391	56	33	M30	60	8	2502	2498	132	12	120	0.5	18	2768.4	151	2239	125	27.1	37.5	1400
	012.60.2500	014.60.2500																		20	2776	136	2228	112	30.1	41.8
010.40.2500	011.40.2500	013.40.2500	2678	2325	144	2610	2391	56	33	M30	60	8	2501	2498	132	12	120	0.5	18	2768.4	151	2239	125	27.1	37.5	1400
	012.40.2500	014.40.2500																		20	2776	136	2228	112	30.1	41.8
010.60.2800	011.60.2800	013.60.2800	2978	2625	144	2910	2691	56	33	M30	60	8	2802	2798	132	12	120	0.5	18	3074.4	168	2527	141	27.1	37.5	1600
	012.60.2800	014.60.2800																		20	3076	151	2528	127	30.1	41.8
010.40.2800	011.40.2800	013.40.2800	2978	2625	144	2910	2691	56	33	M30	60	8	2802	2798	132	12	120	0.5	18	3074.4	168	2527	141	27.1	37.5	1600
	012.40.2800	014.40.2800																		20	3076	151	2528	127	30.1	41.8

Slewing bearing

Bearing No.			Boundary (mm)			Mount Dimension (mm)			Structure (mm)			Gear data			Out Gear	Inner gear		Tangential		Mass						
Without gear	Outer gear	Inner gear	D	d	H	D1	D2	n	∅	dm	L	n1	D3	d1	H1	h	b	x	m	De	z	De	z	Z10°N	T10°N	(kg)
010.75.3150	011.75.3150	013.75.3150	3376	2922	174	3286	3014	56	45	M42	84	8	3152	3147	162	12	150	0.5	20	3476	171	2828	142	37.7	52.2	2800
	012.75.3150	014.75.3150																		22	3471.6	155	2825	129	41.5	57.4
010.50.3150	011.50.3150	013.50.3150	3376	2922	174	3286	3014	56	45	M42	84	8	3152	3147	162	12	150	0.5	20	3476	171	2828	142	37.7	52.2	2800
	012.50.3150	014.50.3150																		22	3471.6	155	2825	129	41.5	57.4
010.75.3550	011.75.3550	013.75.3550	3776	3322	174	3686	3414	56	45			8	3552	3547	162	12	150	0.5	20	3876	191	3228	162	37.7	52.2	3200
	012.75.3550	014.75.3550																		22	3889.6	174	3221	147	41.5	57.4
010.50.3550	011.50.3550	013.50.3550	4226	3322	174	3686	3414	56	45			8	3552	3547	162	12	150	0.5	20	3876	191	3228	162	37.7	52.2	3200
	012.50.3550	014.50.3550																		22	3889.6	174	3221	147	41.5	57.4
010.75.4000	011.75.4000	013.75.4000	4226	3772	174	4136	3864	60	45			10	4002	3997	162	12	150	0.5	22	4329.6	194	3661	167	41.5	57.4	3600
	012.75.4000	014.50.3150																		25	4345	171	3660	147	47.1	65.2
010.50.4000	011.50.4000	013.50.4000	4226	3772	174	4136	3864	60	45			10	4002	3998	162	12	150	0.5	22	4329.6	194	3661	167	41.5	57.4	3600
	012.50.4000	014.50.4000																		25	4345	171	3660	147	47.1	65.2
010.75.4500	011.75.4500	013.75.4500	4726	4272	174	4636	4364	60	45			10	4502	4497	162	12	150	0.5	22	4835.6	217	4167	190	41.5	57.4	4000
	012.75.4500	014.75.4500																		25	4845	191	4160	167	47.7	65.2
010.50.4500	011.50.4500	013.50.4500	4726	4272	174	4636	4364	60	45			10	4502	4497	162	12	150	0.5	22	4835.6	217	4167	190	41.5	57.4	4000
	012.50.4500	014.50.4500																		25	4845	191	4160	167	47.7	65.2

Double row four point contact ball slewing bearing

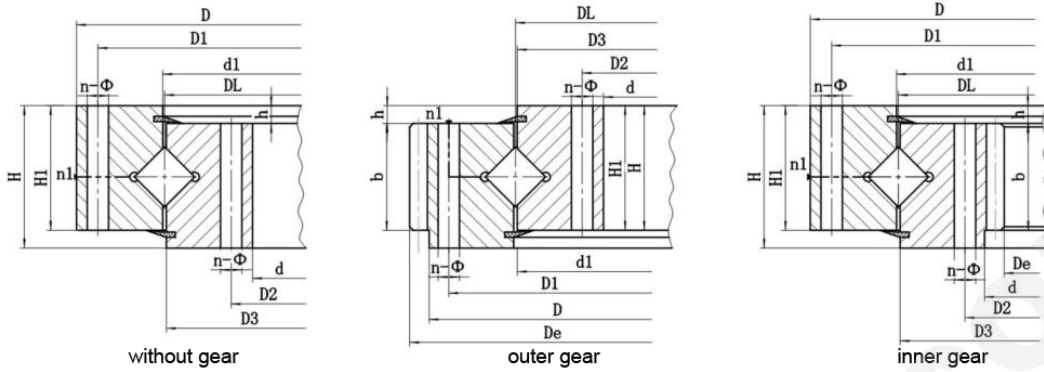


Bearing No.			Boundary (mm)			Mount Dimension (mm)			Structure (mm)			Gear data			Out Gear	Inner gear		Tangential		Mass		
without gear	Outer gear	Inner gear	D	d	H	D1	D2	n	∅	n1	H1	h	b	x	m	De	z	De	z	Normal Temper	(kg)	
020.25.500	021.25.500	023.25.500	616	384	106	580	420	20	18	4	96	26	60	0.5	5	644	126	257	72	3.7	5.2	100
	022.25.500	024.25.500														6	646.8	105	350.4	59	4.5	6.2
020.25.560	021.25.560	023.25.560	676	444	106	640	480	20	18	4	96	26	60	0.5	5	704	138	417	84	3.7	5.2	115
	022.25.560	024.25.560														6	706.8	115	410.4	69	4.5	6.2
020.25.630	021.25.630	023.25.630	746	514	106	710	550	24	18	4	96	26	60	0.5	6	790.8	129	482.4	81	4.5	6.2	130
	022.25.630	024.25.630														8	790.4	96	475.2	60	6	8.3
020.25.710	021.25.710	023.25.710	826	594	106	790	630	24	18	4	96	26	60	0.5	6	862.8	141	560.4	94	4.5	6.2	140
	022.25.710	024.25.710														8	862.4	105	555.2	70	6	8.3
020.30.800	021.30.800	023.30.800	942	658	124	898	702	30	22	6	114	29	80	0.5	8	982.4	120	619.2	78	8	11.1	200
	022.30.800	024.30.800														10	988	96	614	62	10	14

Slewing bearing

without gear	Bearing No.		Boundary (mm)			Mount Dimension (mm)				Structure (mm)				Gear data		Out Gear		Inner gear		Tangential		Mass (kg)
	Outer gear	Inner gear	D	d	H	D 1	D 2	n	Ø	n 1	H 1	h	b	x	m	D e	z	D e	z	Normal	Temper	
020.30.900	021.30.900	023.30.900	1042	758	124	998	802	30	22	6	114	29	80	0.5	8	1086.4	133	715.2	90	8	11.1	250
	022.30.900	024.30.900													10	1088	106	714	72	10	14	
020.30.1000	021.30.1000	023.30.1000	1142	858	124	1098	902	36	22	6	114	29	80	0.5	10	1198	117	814	82	10	14	300
	022.30.1000	024.30.1000													12	1197.6	97	796.8	67	12	16.7	
020.30.1120	021.30.1120	023.30.1120	1262	978	124	1218	1022	36	22	6	114	29	80	0.5	10	1318	129	924	93	10	14	340
	022.30.1120	024.30.1120													12	1317.6	107	916.8	77	12	16.7	
020.40.1250	021.40.1250	023.40.1250	1426	1074	160	1374	1126	40	26	5	150	39	90	0.5	12	1497.6	122	1012.8	85	13.5	18.8	580
	022.40.1250	024.40.1250													14	1495.2	104	1013.6	73	15.8	21.9	
020.40.1400	021.40.1400	023.40.1400	1576	1224	160	1524	1272	40	26	5	150	39	90	0.5	12	1641.6	134	1156.8	97	13.5	18.8	650
	022.40.1400	024.40.1400													14	1649.2	115	1153.6	83	15.8	21.9	
020.40.1600	021.40.1600	023.40.1600	1776	1424	160	1724	1476	45	26	5	150	39	90	0.5	14	1845.2	129	1349.6	97	15.8	21.9	750
	022.40.1600	024.40.1600													16	1852.8	113	1350.4	85	18.1	25	
020.40.1800	021.40.1800	023.40.1800	1976	1624	160	1924	1676	45	26	5	150	39	90	0.5	14	2055.2	144	1545.6	111	15.8	21.9	820
	022.40.1800	024.40.1800													16	2060.8	126	1542.4	97	18.1	25	
020.50.2000	021.50.2000	023.50.2000	2215	1785	190	2149	1851	48	33	8	178	47	120	0.5	16	2300.8	141	1702.4	107	24.1	33.3	1150
	022.50.2000	024.50.2000													18	2300.4	125	1699.2	95	27.1	37.5	
020.50.2240	021.50.2240	23.50224	2455	2025	190	2389	2091	48	33	8	178	47	120	0.5	16	2540.8	156	1942.4	122	24.1	33.3	1500
	022.50.2240	024.50.2240													18	2552.4	139	1933.2	108	27.1	37.5	
020.50.2500	021.50.2500	023.50.2500	2715	2285	190	2649	2351	56	33	8	178	47	120	0.5	18	2804.4	153	2203.2	123	27.1	37.5	1700
	022.50.2500	024.50.2500													20	2816	138	2188	110	30.1	41.8	
020.50.2800	021.50.2800	023.50.2800	3015	2585	190	2949	2651	56	33	8	178	47	120	0.5	18	3110.4	170	2491.2	139	27.1	37.5	1900
	022.50.2800	024.50.2800													20	3116	153	2488	125	30.1	41.8	
020.60.3150	021.60.3150	023.60.3150	3428	2872	226	3338	2962	56	45	8	214	56	150	0.5	20	3536	174	2768	139	37.7	52.2	3300
	022.60.3150	024.60.3150													22	3537.6	158	2758.8	126	41.5	57.4	
020.60.3550	021.60.3550	023.60.3550	3828	3272	226	3738	3362	56	45	8	214	56	150	0.5	20	3936	194	3168	159	37.7	52.2	3700
	022.60.3550	024.60.3550													22	3933.6	176	3176.8	145	41.5	57.4	
020.60.4000	021.60.4000	023.60.4000	4278	3722	226	4188	3812	60	45	10	214	56	150	0.5	22	4395.6	197	3616.8	165	41.5	57.4	4200
	022.60.4000	024.60.4000													25	4395	173	3610	145	47.1	65.2	
020.60.4500	021.60.4500	023.60.4500	4778	4222	226	4688	4312	60	45	10	214	56	150	0.5	22	4879.6	219	4122.8	188	41.5	57.4	4700
	022.60.4500	024.60.4500													25	4895	193	4110	165	47.1	65.2	

Single row cross cylindrical roller slewing bearing

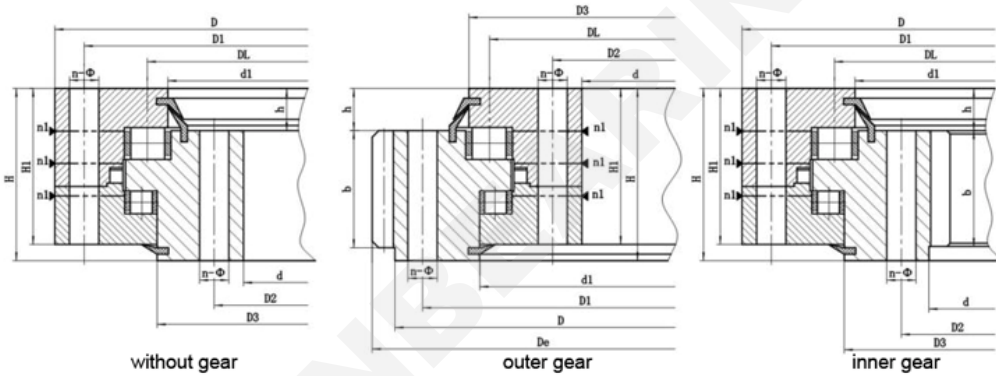


Bearing No.			Boundary (mm)			Mount Dimension (mm)			Structure (mm)			Gear data			Out Gear		Inner gear		Tangential	Mass							
without gear	Outer gear	Inner gear	D	d	H	D1	D2	n	Φ	dm	L	n1	D3	d1	H1	h	b	x	m	De	z	De	z	Normal Temper	(kg)		
111.25.500	111.25.500	113.25.500	602	398	75	566	434	20	18	M16	32	4	498	502	65	10	60	0.5	5	629	123	367	74	3.7	5.2	80	
	112.25.500	114.25.500																		6	628.8	102	368.4	62	4.5	6.2	
110.25.560	111.25.560	113.25.560	662	458	75	626	494	20	18	M16	32	4	558	562	65	10	60	0.5	5	689	135	427	86	3.7	5.2	90	
	112.25.560	114.25.560																		6	688.8	112	428.4	72	4.5	6.2	
110.25.630	111.25.630	113.25.630	732	528	75	696	564	24	18	M16	32	4	628	632	65	10	60	0.5	6	772.8	126	494.4	83	4.5	6.2	100	
	112.25.630	114.25.630																		8	774.4	94	491.2	62	6	8.3	
110.25.710	111.25.710	113.25.710	812	608	75	776	644	24	18	M16	32	4	708	712	65	10	60	0.5	6	850.8	139	572.4	96	4.5	6.2	110	
	112.25.710	114.25.710																		8	854.4	104	571.2	72	6	8.3	
110.28.800	111.28.800	113.28.800	922	678	82	878	722	30	22	M20	40	6	798	802	72	10	65	0.5	8	966.4	118	635.2	80	6.5	9.1	170	
	112.28.800	114.28.800																		10	968	94	634	64	8.1	11.4	
110.28.900	111.28.900	113.28.900	1022	778	82	978	822	30	22	M20	40	6	898	902	72	10	65	0.5	8	1062.4	130	739.2	93	6.5	9.1	190	
	112.28.900	114.28.900																		10	1068	104	734	74	8.1	11.4	
110.28.1000	111.28.1000	113.28.1000	1122	878	82	1078	922	36	22	M20	40	6	998	1002	72	10	65	0.5	10	1188	116	824	83	8.1	11.4	210	
	112.28.1000	114.28.1000																		12	1185.6	96	820.8	69	9.7	13.6	
110.28.1120	111.28.1120	113.28.1120	1242	998	82	1198	1042	36	22	M20	40	6	1118	1122	72	10	65	0.5	10	1298	127	944	95	8.1	11.4	230	
	112.28.1120	114.28.1120																		12	1305.6	106	940.8	79	9.7	13.6	
110.32.1250	111.32.1250	113.32.1250	1390	1110	91	1337	1163	40	26	M24	48	5	1248	1252	81	10	75	0.5	12	1449.6	118	1048.8	88	11.3	15.7	350	
	112.32.1250	114.32.1250																		14	1453.2	101	1041.6	75	13.2	18.2	
110.32.1400	111.32.1400	113.32.1400	1540	1260	91	1487	1313	40	26	M24	48	5	1398	1402	81	10	75	0.5	12	1605.6	131	1192.8	100	11.3	15.7	400	
	112.32.1400	114.32.1400																		14	1607.2	112	1195.6	86	13.2	18.2	
110.32.1600	111.32.1600	113.32.1600	1740	1460	91	1687	1513	45	26	M24	48	5	1598	1602	81	10	75	0.5	14	1817.2	127	1391.6	100	13.2	18.2	440	
	112.32.1600	114.32.1600																		16	1820.8	111	1382.4	87	15.1	22.4	
110.32.1800	111.32.1800	113.32.1800	1940	1660	91	1887	1713	45	26	M24	48	5	1798	1802	81	10	75	0.5	14	2013.2	141	1573.6	113	13.2	18.2	500	
	112.32.1800	114.32.1800																		16	2012.8	123	1574.4	99	15.1	22.4	
110.40.2000	111.40.2000	113.40.2000	2178	1825	112	2110	1891	48	33	M30	60	8	1997	2003	100	13	90	0.5	16	2268.8	139	1734.4	109	18.1	25	900	
	112.40.2000	114.40.2000																		18	2264.4	123	1735.2	97	20.3	28.1	
110.40.2240	111.40.2240	113.40.2240	2418	2065	112	2350	2131	48	33	M30	60	8	2237	2243	100	13	90	0.5	16	2492.8	153	1990.4	125	18.1	25	1000	
	112.40.2240	114.40.2240																		18	2498.4	136	1987.2	111	20.3	28.1	
110.40.2500	111.40.2500	113.40.2500	2678	2325	112	2610	2391	56	33	M30	60	8	2497	2503	100	13	90	0.5	18	2768.4	151	2239.2	125	20.3	28.1	1100	
	112.40.2500	114.40.2500																		20	2776	136	2228	112	22.6	31.3	

Slewing bearing

Bearing No.			Boundary (mm)			Mount Dimension (mm)			Structure (mm)			Gear data			Out Gear		Inner gear		Tangential		Mass						
without gear	Outer gear	Inner gear	D	d	H	D1	D2	n	Ø	dm	L	n1	D3	d1	H1	h	b	x	m	De	z	De	z	Normal	Temper	(kg)	
110.40.2800	111.40.2800	113.40.2800	2978	2625	112	2910	2691	56	33	M30	60	8	2797	2803	100	13	90	0.5	18	3074.4	168	2527.2	141	20.3	28.1	1250	
	112.40.2800	114.40.2800																		20	3076	151	2528	127	22.6	31.3	
110.50.3150	111.50.3150	113.50.3150	3376	2922	134	3286	3014	56	45	M42	84	8	3147	3153	122	13	110	0.5	20	3476	171	2828	142	27.6	38.3	2150	
	112.50.3150	114.50.3150																		22	3471.6	155	2824.8	129	30.4	42.1	
110.50.3550	111.50.3550	113.50.3550	3776	3322	134	3686	3414	56	45	M42	84	8	3547	3553	122	13	110	0.5	20	3876	191	3228	162	30.4	38.3	2470	
	112.50.3550	114.50.3550																		22	3889.6	174	3220.8	147	30.4	42.1	
110.50.4000	111.50.4000	113.50.4000	4226	3772	134	4136	3864	60	45	M42	84	10	3997	4003	122	13	110	0.5	22	4329.6	194	3660.8	167	30.4	42.1	2800	
	112.50.4000	114.50.4000																		25	4345	171	3660	147	34.5	47.8	
110.50.4500	111.50.4500	113.50.4500	4726	4272	134	4636	4364	60	45	M42	84	10	4497	4503	122	13	110	0.5	22	4835.6	217	4166.8	190	30.4	42.1	3100	
	112.50.4500	114.50.4500																		25	4845	191	4160	167	34.5	47.8	

Triple row cylindrical roller slewing bearings



Bearing No.			Boundary (mm)			Mount Dimension (mm)			Structure (mm)			Gear data			Out Gear		Inner gear		Tangential		Mass				
without gear	Outer gear	Inner gear	D	d	H	D1	D2	n	Ø	dm	L	n1	H1	h	b	x	m	De	z	De	z	Normal	Temper	(kg)	
130.25.500	131.25.500	133.25.500	634	366	148	598	402	24	18	M16	32	4	10	32	80	0.5	5	664	130	337	68	5	6.7	224	
	132.25.500	134.25.500																6	664.8	108	338.4	57			
130.25.560	131.25.560	133.25.560	694	426	148	658	462	24	18	M16	32	4	10	32	80	0.5	5	724	142	397	80	5	6.7	240	
	132.25.560	134.25.560																6	724.8	118	398.4	67			
130.25.630	131.25.630	133.25.630	764	496	148	728	532	28	18	M16	32	4	10	32	80	0.5	6	808.8	132	458.4	77	6	8	270	
	132.25.630	134.25.630																8	806.4	98	459.2	58			
130.25.710	131.25.710	133.25.710	844	576	148	808	612	28	18	M16	32	4	10	32	80	0.5	6	886.8	145	536.4	90	6	8	300	
	132.25.710	134.25.710																8	886.4	108	539.2	68			
130.32.800	131.32.800	133.32.800	964	636	182	920	680	36	22	M20	40	4	10	40	120	0.5	8	1006.4	123	595.2	75	12.1	16.7	500	
	132.32.800	134.32.800																10	1008	98	594	60			
130.32.900	131.32.900	133.32.900	1064	736	182	1020	780	36	22	M20	40	4	10	40	120	0.5	8	1102.4	135	691.2	87	12.1	16.7	600	
	132.32.900	134.32.900																10	1108	108	694	70			
130.32.1000	131.32.1000	133.32.1000	1164	836	182	1120	880	40	22	M20	40	5	10	40	120	0.5	10	1218	119	784	79	15.1	20.9	680	
	132.32.1000	134.32.1000																12	1221.6	99	784.8	66			
130.32.1120	131.32.1120	133.32.1120	1284	956	182	1240	1000	40	22	M20	40	5	10	40	120	0.5	10	1338	131	904	91	15.1	20.9	820	
	132.32.1120	134.32.1120																12	1341.6	109	904.8	76			

Slewing bearing

Bearing No.			Boundary (mm)			Mount Dimension (mm)			Structure (mm)			Gear data			Out Gear		Inner gear		Tangential		Mass				
without gear	Outer gear	Inner gear	D	d	H	D1	D2	n	Ø	dm	L	n1	H1	h	b	x	m	De	z	De	z	Normal	Temper	(kg)	
130.40.1250	131.40.1250	133.40.1250	1445	1055	220	1393	1107	45	26	M24	48	5	10	50	150	0.5	12	1509.6	123	988.8	83	22.9	31.4	1200	
	132.40.1250	134.40.1250																14	1509.2	105	985.6	71			
130.40.1400	131.40.1400	133.40.1400	1595	1205	220	1543	1257	45	26	M24	48	5	10	50	150	0.5	12	1665.6	136	1144.8	96	22.9	31.4	1300	
	132.40.1400	134.40.1400																14	1663.2	116	1139.6	82			
130.40.1600	131.40.1600	133.40.1600	1795	1405	220	1743	1457	48	26	M24	48	6	10	50	150	0.5	14	1873.2	131	1335.6	96	26.3	36.6	1520	
	132.40.1600	134.40.1600																16	1868.8	114	1334.4	84			
130.40.1800	131.40.1800	133.40.1800	1995	1605	220	1943	1657	48	26	M24	48	6	10	50	150	0.5	14	2069.2	145	1531.6	110	26.3	36.6	1750	
	132.40.1800	134.40.1800																16	2076.8	127	1526.4	96			
130.45.2000	131.45.2000	133.45.2000	2221	1779	231	2155	1845	60	33	M30	60	6	12	54	160	0.5	16	2300.8	141	1702.4	107	32.2	44.5	2400	
	132.45.2000	134.45.2000																18	2300.4	125	1699.2	95			
130.45.2240	131.45.2240	133.45.2240	2461	2019	231	2395	2085	60	33	M30	60	6	12	54	160	0.5	16	2556.8	157	1926.4	121	32.2	44.5	2700	
	132.45.2240	134.45.2240																18	2552.4	139	1933.2	108			
130.45.2500	131.45.2500	133.45.2500	2721	2279	231	2655	2345	72	33	M30	60	8	12	54	160	0.5	18	2822.4	154	2185.2	122	36.2	50.1	3000	
	132.45.2500	134.45.2500																20	2816	138	2188	110			
130.45.2800	131.45.2800	133.45.2800	3021	2579	231	2955	2645	72	33	M30	60	8	12	54	160	0.5	18	3110.4	170	2491.2	139	36.2	50.1	3400	
	132.45.2800	134.45.2800																20	3116	153	2488	125			
130.50.3150	131.50.3150	133.50.3150	3432	2868	270	3342	2958	72	45	M42	84	8	12	65	180	0.5	20	3536	174	2768	139	45.2	62.6	5000	
	132.50.3150	134.50.3150																22	3537.6	158	2758.8	126			

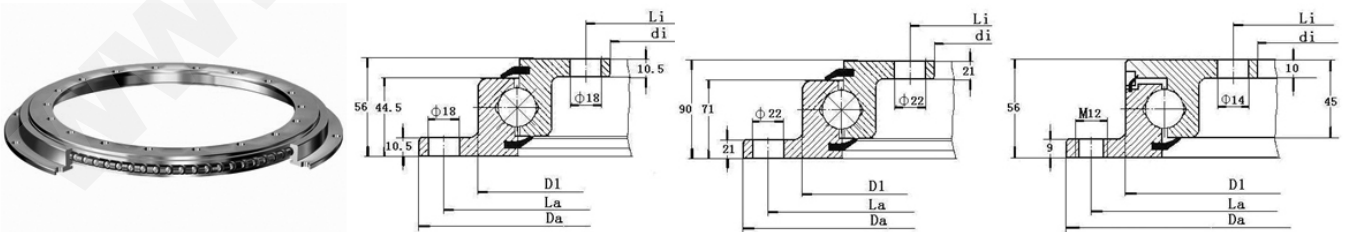
Bearing No.	Dimension (mm)										Mass
Non-Gear Type	D	d	H	D1	D2	n1	n2	f 1	f 2		(kg)
3-931G	4300	3650	355	4210	3750	90	90	48	48		9503
External-Gear Type											
6397/1605G2K	1984	1605	250	1932	1657	36	48	26	26		1800
3-974G	2465	1850	256	2390	2020	60	60	39	39		3515
3-934G	2650	2240	180	2588	2300	54	54	34	34		1832
6397/2590	3006	2590	200	2930	2670	60	60	39	39		2780
6397/2590K	3006	2590	314	2930	2670	60	60	39	39		4209
6397/2800G	3260	2800	220	3190	2870	60	60	39	39		3288
6397/2800GK	3255	2800	240	3185	2870	48	64	39	39		3419
6397/2800GK1	3255	2800	240	3185	2870	64	64	39	M36		3429
6397/2800GK2	3255	2800	240	3185	2870	48	64	39	M36X3		3424
6392/2910G	3400	2910	220	3315	2990	56	56	39	39		3736
6397/3340	3838	3340	212	3735	3441	##	108	33	33		3684
Internal-Gear Type											
7397/2210k	2650	2216	220	2590	2276	56	40	M30	33		2418
7397/2700G2	3150	2700	255	3070	2750	40	70	32	32		3536
7397/2700G2K	3150	2700	255	3070	2750	72	72	32	32		3542
7397/2700GK1	3150	2700	255	3070	2755	76	80	38	38		3393
7397/2700G2K2	3150	2700	255	2070	2750	72	72	33	33		3542
7397/2700G2K3	3150	2700	255	3070	2750	8	2	32	M30		3699
3-945G2	5000	4190	430	4880	4310	66	72	44	44		14204

Single row four point contact ball slewing bearing-VU



Bearing	Interchange	Dimension (mm)								Mass	
No.	INA	d	Da	C	B	H	La	Li	d	n*	(kg)
SR20/326	VU200260	191	326	41	41	46	305	215	14	20	15
SR25/485	VU250380	275	485	50	50	55	453	307	18	16	45
SR20/474	VU200405	336	474	41	41	46	450	360	14	30	25
SR25/501	VU250412	324	501	50	50	55	469	356	18	18	40
SR25/522	VU250433	344	522	50	50	55	490	376	18	20	42
SR32/568	VU300460	356	568	59	59	64	524	396	22	18	64
SR32/680	VU300574	468	680	61	61	68	640	508	22	20	82
SR36/795	VU360680	565	795	72	72	79	755	605	22	30	115
SR36/933	VU360823	713	933	72	72	79	893	753	22	36	140
SR36/1090	VU360980	870	1090	72	72	79	1050	910	22	44	165
SR45/1238	VU451117	995	1238	91	91	101	1198	1035	22	60	265
SR40/1330	VU401213	1095	1330	82	82	92	1290	1135	22	56	255
SR50/1600	VU501472	1340	1600	100	100	110	1560	1384	22	52	420
SR20/1290	VU201220	1150	1290	46	46	56	1266	1176	14	84	85
SR36/1462	VU361350	1238	1462	75	75	85	1422	1278	22	56	235
SR45/1725	VU451578	1431	1725	91	91	101	1671	1485	30	44	460
SR36/1462	VU361350	1238	1462	75	75	85	1422	1278	22	56	235

Single row four point contact ball slewing bearing with flange-VLU

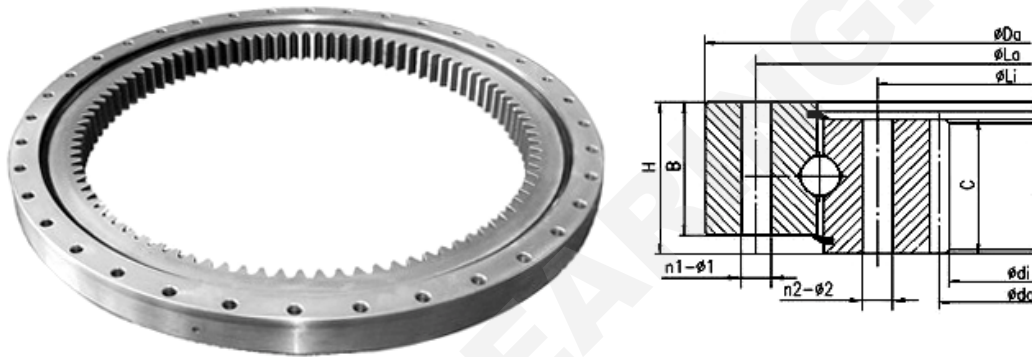


Bearing	Interchange	Dimension (mm)								Mass
No.	INA	Rothe Erde	Da	La	na*	Li	di	ni *	Fig no.	(kg)
SLR20/518	VLU220411	230.20.0400.013	518	490	8	332	304	12	1	23.4
SLR20/648	VLU220541	230.20.0500.013	648	620	10	462	434	14	1	31
SLR20/748	VLU220641	230.20.0600.013	748	720	12	562	534	16	1	36.4
SLR20/848	VLU220741	230.20.0700.013	848	820	12	662	634	16	1	42.8

Slewing bearing

SLR20/1048	VLU220941	230.20.0900.013	1048	1020	16	862	834	20	1	53.1
SLR20/1198	VLU221091	230.20.1000.013	1198	1170	16	1012	934	20	1	61.9
SLR20/948	VLU220841	230.20.0800.013	948	920	14	762	734	18	1	47.8
SLR30/1100	VLU300955	280.30.0900.013	1100	1060	30	845	805	30	2	131
SLR30/1200	VLU301055	280.30.1000.013	1200	1160	30	945	905	30	2	145
SLR30/1300	VLU301155	280.30.1100.013	1300	1260	36	1045	1005	36	2	159
SLR30/1400	VLU301255	280.30.1200.013	1400	1360	42	1145	1105	42	2	172
SLR30/1500	VLU301355	280.30.1300.013	1500	1460	42	1245	1205	42	2	186
SLR30/1600	VLU301455	280.30.1300.013	1600	1560	48	1345	1305	48	2	200
SBI-020			950	920	8	762	732	8	3	58

Single row four point contact ball slewing bearing-Inner gear



Bearing	Dimension (mm)												Mass
No.	Da	di	C	B	H	La	Li	dB	N*	Do	m	z	(kg)
SIR16/340	340	216	34	34	39	324	252	9	20	224	4	56	12
SIR16/486	486	332	34	34	39	462	378	14	16	340	4	85	24
SIR25/562	562	384	50	50	55	538	440	14	40	396	6	66	43
SIR20/657	657	462	43	48	55	625	525	18	16	474	6	79	55
SIR25/722	722	504	52	52	59	690	580	18	24	520	8	65	70
SIR40/817	817	560	79	79	86	785	640	18	52	580	10	58	140
SIR30/812	812	584	61	61	68	780	660	18	40	600	8	75	100
SIR25/952	952	736	53	53	60	920	810	18	20	752	8	94	100
SIR20/976	976	776	43	53	60	944	850	18	32	792	8	99	90
SIR20/1166	1166	960	45	55	64	1134	1040	18	40	980	10	98	115
SIR25/1200	1200	950	54	75	84	1160	1040	22	30	970	10	97	180
SIR30/1228	1228	960	64	70	79	1188	1052	22	40	980	10	98	205
SIR40/1258	1258	936	81	95	104	1210	1045	26	36	960	12	80	320
SIR30/1255	1255	984	64	64	73	1215	1085	22	40	1008	12	84	200
SIR36/1330	1330	1060	75	75	85	1290	1150	22	48	1080	10	108	250
SIR40/1416	1416	1140	82	82	92	1380	1228	20	76	1160	10	116	295
SIR40/1465	1465	1180	82	82	92	1425	1270	22	60	1200	10	120	320
SIR50/1528	1528	1176	100	100	110	1480	1290	26	56	1200	12	100	490
SIR40/1630	1630	1308	82	82	92	1582	1418	26	48	1332	12	111	400
SIR50/1753	1753	1416	100	100	110	1705	1525	26	64	1440	12	120	550

Slewing bearing

SIR40/1830	1830	1498	82	82	92	1782	1618	26	56	1526	14	109	460
SIR50/1923	1923	1568	100	100	110	1875	1695	26	72	1596	14	114	630
SIR60/2024	2024	1616	118	118	128	1970	1760	30	68	1648	16	103	890
SIR30/2010	2010	1740	64	72	82	1970	1840	22	48	1764	12	147	360
SIR50/2088	2088	1722	100	100	110	2040	1850	26	48	1750	14	12	740
SIR60/2184	2184	1764	122	122	136	2130	1921	30	72	1800	18	10	1030
SIR60/2355	2355	1920	122	122	136	2295	2065	33	64	1952	16	12	1170
SIR45/2413	2413	2072	96	96	110	2365	2195	26	84	2100	14	15	780
SIR50/2700	2700	2286	104	104	118	2640	2440	33	64	2322	18	12	1100
SIR60/2775	2775	2336	122	122	136	2715	2485	33	76	2368	16	14	1420
SIR36/2800	2800	2480	80	100	114	2760	2615	22	108	2520	20	12	750
SIR50/3040	3040	2628	104	104	118	2980	2775	33	72	2664	18	14	1260
SIR45/3100	3100	2796	95	95	109	3060	2900	22	160	2820	12	23	860
SIR60/3455	3455	3006	122	122	136	3395	3165	33	96	3042	18	16	1820
SIR70/3565	3565	3100	140	140	154	3505	3260	33	116	3140	20	15	2290
SIR45/35	3560	3168	96	96	110	3500	3305	33	80	3200	16	20	1300
SIR80/3690	3690	3200	158	158	172	3630	3370	33	124	3240	20	16	2720
SIR80/3910	3910	3420	158	158	172	3850	3590	33	132	3460	20	17	2890
SIR80/4010	4010	3520	158	158	172	3950	3690	33	136	3560	20	17	2990
SIR80/4234	4234	3720	158	158	172	4174	3896	33	144	3760	20	18	3330

Single row four point contact ball slewing bearing-Outer gear

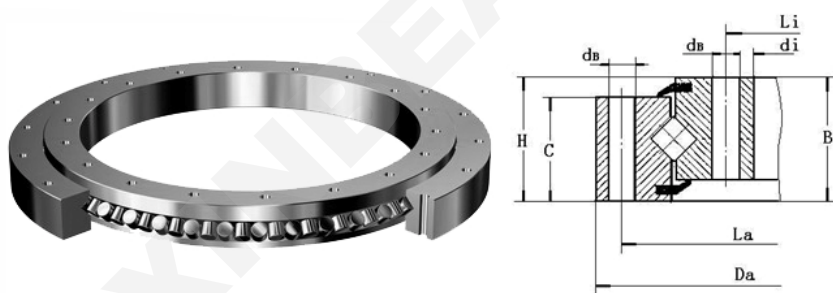


Bearing		Dimension (mm)											Mass
No.	d	Da	C	B	H	La	Li	db	n*	do	m	z	(kg)
SOR16/318	171	318.6	35	35	40	275	195	13	12	312	4	78	13
SOR25/408	235	408.4	50	50	55	355	259	13	24	400	5	80	29
SOR22/503	335	503.3	45	45	50	455	359	13	30	495	5	99	33
SOR30/598	382	598.2	60	60	65	540	410	16	36	588	6	98	64
SOR20/640	471	640.3	41	41	48	585	495	13	40	630	6	105	39
SOR40/708	464	708.0	80	80	87	628	492	16	56	690	10	69	110
SOR22/712	510	712.3	48	48	55	650	542	18	24	702	6	117	63
SOR20/742	571	742.3	43	43	50	685	595	13	44	732	6	122	50
SOR30/829	577	829.9	61	61	68	753	617	22	24	816	8	102	115
SOR25/844	630	844.1	52	52	59	780	662	18	30	834	6	139	87

Slewing bearing

SOR20/862	674	862.1	43	43	50	800	706	18	28	852	6	142	65
SOR25/940	728	940.1	53	53	60	875	760	18	36	930	6	155	100
SOR40/1008	730	1008.0	80	80	87	920	770	22	40	990	10	99	200
SOR30/1038	790	1038.1	61	61	68	960	830	22	32	1024	8	128	145
SOR20/1086	890	1086.1	53	53	60	1015	922	18	36	1072	8	134	105
SOR30/1110	883	1110.1	61	61	68	1040	915	18	52	1096	8	137	140
SOR36/1158	882	1158.0	73	73	80	1068	922	22	40	1140	10	114	210
SOR45/1293	995	1293.6	90	90	100	1198	1035	22	60	1272	12	106	310
SOR40/1389	1095	1389.6	82	82	92	1290	1135	22	56	1368	12	114	300
SOR36/1485	1210	1485.6	75	75	85	1390	1250	22	52	1464	12	122	285
SOR50/1653	1317	1653.6	100	100	110	1545	1365	26	56	1632	12	136	510
SOR40/1803	1470	1803.5	82	82	92	1682	1518	26	52	1778	14	127	460
SOR50/1971	1622	1971.5	100	100	110	1860	1670	26	68	1946	14	139	640
SOR70/2027	1621	2027.5	136	136	146	1905	1675	30	76	2002	14	143	1020
SOR30/2013	1714	2013.1	90	90	100	1886	1754	22	64	1980	18	110	500
SOR50/2041	1687	2041.5	100	100	110	1930	1735	26	72	2016	14	144	680
SOR60/2229	1826	2229.1	118	118	128	2089	1880	30	72	2196	18	122	970
SOR50/2381	1965	2381.4	104	104	118	2235	2025	33	52	2352	16	147	980

Cross cylindrical roller slewing bearing-XU

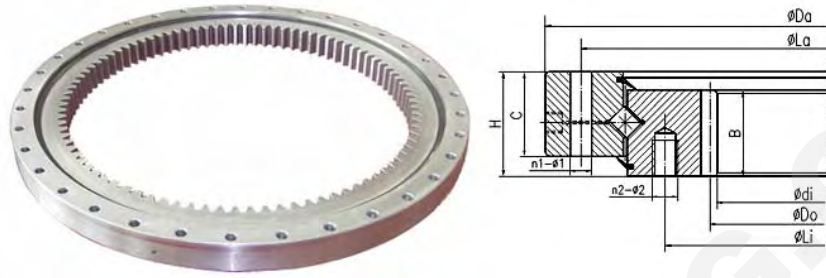


Bearing	Interchange	Dimension (mm)								Mass
No.	INA	Da	di	H	La	B,C	dB	n*	Li	(kg)
XU326	XU160260	326	191	46	305	41	14	20	215	15
XU485	XU180380	485	275	55	453	50	18	16	307	45
XU474	XU160405	474	336	46	450	41	14	30	360	25
XU501	XU180412	501	324	55	469	50	18	18	356	40
XU522	XU180433	522	344	55	490	50	18	20	376	42
XU568	XU220460	568	356	64	524	59	22	18	396	64
XU602		602	398	75	566	65	18	29	434	
XU662		662	458	75	626	65	18	29	494	
XU732		732	528	75	696	65	18	24	564	
XU812		812	608	75	776	65	18	24	644	
XU1022		1022	778	82	978	72	22		822	
XU1122		1122	878	82	1078	72	22	36	922	
XU1242		1242	998	82	1198	72	22	36	1042	
XU1540		1540	1260	91	1487	81	26	40	1313	

Slewing bearing

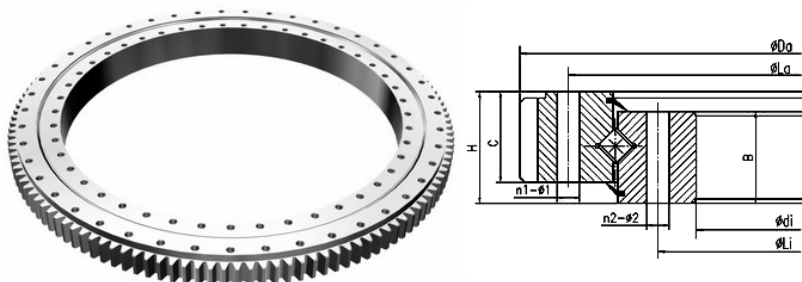
XU1740	1740	1460	91	1687	81	26	45	1513
XU1940	1940	1660	91	1887	81	26	45	1713
XU2678	2678	2325	112	2610	100	33	56	2391
XU2978	2978	2625	112	2910	100	33	56	2691

Cross cylindrical roller slewing bearing-Inner gear



Bearing No.	Boundary (mm)				Mount Dimension (mm)								Gear data			Mass (kg)	
	D	d	H	B	h	La	Li	n1	n2	$\phi1$	$\phi2$	m	da	Z	b		x
XIU15/414	484	350	56	44.5	11.5	460	375	24	24	14	M12	5	325	67	40	0	31
XIU15/544	614	444	56	44.5	11.5	590	505	32	32	14	M12	6	444	76	44.5	0	43
XIU15/644	714	546	56	44.5	11.5	690	605	36	36	14	M12	6	546	93	44.5	0	50
XIU15/744	814	648	56	44.5	11.5	790	705	40	40	14	M12	6	648	110	44.5	0	58
XIU15/844	914	736	56	44.5	11.5	890	805	40	40	14	M12	8	736	94	44.5	0	69
XIU30/802	920	695	90	76	4	870	735	30	30	18	18	7	658	96	65	0	175
XIU15/944	1014	840	56	44.5	11.5	990	905	44	44	14	M12	8	840	107	44.5	0	76
XIU15/1094	1164	934	56	44.5	11.5	1140	1055	48	48	14	M12	8	934	125	44.5	0	91
XIU35/1025	1180	870	115	100	15	1125	920	18	18	26	26	8	718.18	105	90	0.3	374
XIU30/1055	1170	875	95	82	15	1120	930	24	24	22	22	8	830.1	105	70	0.35	297
XIU30/1090	1200	955	90	76	10	1160	1000	36	18	18	18	8	908.8	115	72	0.3	245
XIU40/1430	1595	1278	120	106	14	1535	1335	36	36	26	26	12	1221.14	103	90	0.35	585
XIU35/1560	1715	1400	110	95	15	1660	1460	40	40	26	M24	10	1330	135	90	0	587
XIU50/2210	2420	2000	160	140	20	2350	2070	48	48	33	M30	14	1913.5	138	120	0.3	1607
XIU50/2460	2670	2240	160	140	20	2600	2320	54	54	35	M36	16	2154.5	136	120	0.3	1798
XIU60/2540	2800	2300	208	180	18	2710	2390	42	48	38	M36	20	2162.75	110	175	0	2756
XIU90/2998	3325	2680	300	270	30	3242	2754	48	48	33	33	16	2592	164	180	0	6320
XIU60/3570	3850	3322	200	180	20	3720	3420	60	60	45	45	22	3206.368	147	158	0.35	4520

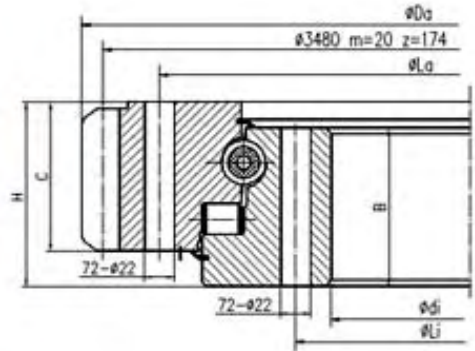
Cross cylindrical roller slewing bearing-Outer gear



Slewing bearing

Bearing No.	Boundary (mm)				Mount Dimension (mm)							Gear data				Mass (kg)	
	D	di	H	B	h	La	Li	n1	n2	φ1	φ2	m	Da	Z	b		x
XOU15/475	565	383	75	63	15	540	410	36	36	16	16	5	588	116	50	0	64.4
XOU15/644	742.3	574	56	44.5	11.5	685	598	32	36	M12	14	6	742.3	122	44.5	0	52
XOU15/744	838.1	674	56	44.5	11.5	785	698	36	40	M12	14	6	838.1	138	44.5	0	59
XOU15/844	950.1	774	56	44.5	11.5	885	798	36	40	M12	14	8	950.1	117	44.5	0	71
XOU25/987	1056	885	83	75	12.5	1032	925	16	16	M16	17.5	8	1096	135	62.5	0	172
XOU35/1025	1150	885	115	100	15	1115	935	16	16	18	18	5	1180	234	80	0	330
XOU35/1254	1415	1100	115	100	15	1345	1160	24	18	21	21	6	1452	240	84	0	497
XOU40/1262	1400	1100	140	126	21	1352	1160	26	26	24	24	14	1477.28	104	90	-0.24	642
XOU45/1405	1548	1250	148	122	20	1512	1297	16	16	25	25	12	1608	132	100	0	661
XOU35/1430	1595	1278	120	105	15	1535	1335	36	36	26	26	12	1655.46	134	90	1.15	597
XOU50/1506	1705	1300	165	134	31	1644	1360	24	24	32	32	14	1783.6	126	85	-0.3	1023
XOU35/1560	1715	1400	110	95	17	1660	1460	42	42	26	26	12	1780.8	147	78	-0.3	579
XOU40/1635	1800	1460	125	110	10	1735	1525	32	36	26	26	14	1881.6	133	95	-0.3	828
XOU50/2370	2600	2100	180	158	22	2540	2200	48	48	32	32	18	2700	148	130	0	2395
XOU70/2746	3108	2460	220	200	35	2930	2560	30	30	33	34	14	3108	220	200	0	4091
XOU80/3000	3332	2635	270	240	45	3240	2755	36	36	42	42	20	3440	170	200	0	5973
XOU70/3580	3970	3230	240	220	20	3820	3350	52	54	37	37	25	4100	162	200	0	7612
XOU70/4000	4220	3760	240	210	55	4160	3840	48	48	32	32	14	4326	307	135	0	4396
XOU80/4600	4940	4250	250	225	25	4840	4350	72	72	48	48	30	5082	168	200	0	8954

Ball-roller type slewing bearing-Outer gear



Bearing No.	Dimension (mm)							Load rating (KN)	Mass (kg)
	Da	La	C	di	Li	B	H		
120.40.3267	3554	3395	155	3067	3125	165	180	32655	2728
.000.41.1538									