

CATALOG INDEX:

- FC/FCS
- FC-C/FCS-C
- FCDS/FCDSS
- FCDS-C/FCDSS-C
- FCL
- FCL-C
- FCH
- FCHS
- FCT
- FCT-C
- FCR/FCRS



FC/FCS Type

FEATURES:

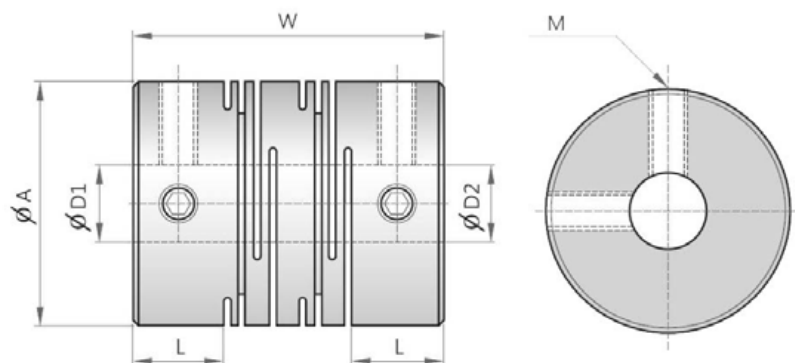
- High torsional stiffness and response.
- Maintenance-free, oil and chemical resistant.
- Absorption of eccentricity, angularity, and end-play by spring action.

Material:

- FC Body: Extra Super Duralumin.
- FCS Body: Stainless steel.

Purchase guide:

Product No. xD1xD2xW(L)



Product No	A	L	W	Stock Bores D1xD2 Min D1	Stock Bores D1xD2 Max D2	M	Rated Torque (N.m)	Max. Torque (N.m)	Max. Rotational Frequency (min ⁻¹)	Moment of Inertia (kg.m ²)	Error of Eccentricity (mm)	Error of Angularity (°)	Error of Shaft End-Play (mm)	Mass (g)
FC-16	16	6.5	23	4	8	M3	0.3	0.6	24000	3.4x10 ⁻⁷	0.1	2°	±0.4	8.2
FC-20	20	7.5	26	5	10	M3	0.5	1	19000	8.6x10 ⁻⁷	0.1	2°	±0.4	15
FC-25	25	8.5	31	5	12	M4	1.1	2.2	15000	20.2x10 ⁻⁶	0.15	2°	±0.5	28
FC-32	32	12	41	6	14	M4	2	4	12000	9.0x10 ⁻⁶	0.15	2°	±0.5	63
FC-40	40	17	56	8	16	M5	5	10	9600	2.8x10 ⁻⁵	0.2	2°	±0.5	128
FC-50	50	21	71	10	18	M6	10	20	7700	1.1x10 ⁻⁴	0.2	2°	±0.5	250
FCS-16	16	6.5	23	4	8	M3	0.5	1	24000	8.6x10 ⁻⁷	0.1	2°	±0.3	23
FCS-20	20	7.5	26	5	10	M3	1	2	19000	2.4x10 ⁻⁶	0.1	2°	±0.3	40
FCS-25	25	6.5	31	5	12	M4	2.1	4.2	15000	7.2x10 ⁻⁶	0.15	2°	±0.4	80
FCS-32	32	12	41	6	14	M4	3.5	7	12000	2.6x10 ⁻⁵	0.15	2°	±0.5	170

FC-C/FCS-C Type

FEATURES:

High torsional stiffness and response.

Maintenance-free, oil and chemical resistant.

Absorption of eccentricity, angularity, and end-play by spring action.

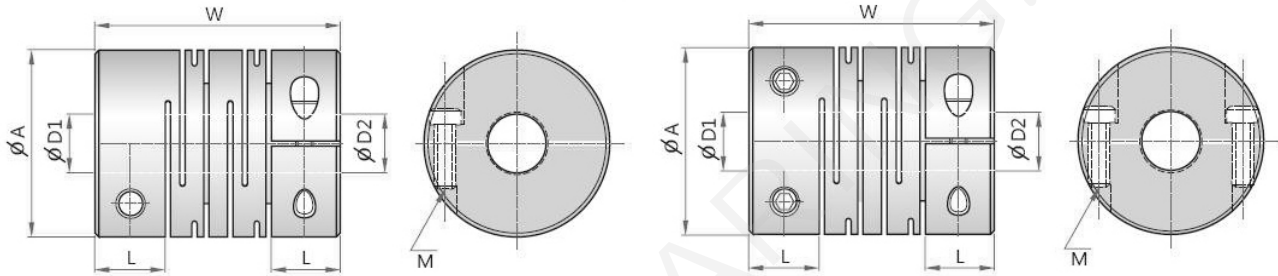
Material:

FC-C Body: Aluminum Alloy

FCS-C Body : Stainless steel.

Purchase guide:

Product No. xD1xD2xW(L)



Product No	A	L	W	Stock Bores D1xD2 Min D1	Stock Bores D1xD2 Max D2	M	Rated Torque (N.m)	Max. Torque (N.m)	Max. Rotational Frequency (min ⁻¹)	Moment of Inertia (kg.m ²)	Error of Eeccentricity (mm)	Error of Angularity (°)	Error of Shaft End-Play (mm)	Mass (g)
FC-16C	16	6.5	23	5	6	M2.5	0.3	0.6	9500	3.5x10 ⁻⁷	0.1	2°	±0.4	9.1
FC-20C	20	7.5	26	5	8	M2.5	0.5	1	7600	8.7x10 ⁻⁷	0.1	2°	±0.4	16.5
FC-25C	25	8.5	31	5	10	M3	1.1	2.2	6100	2.2x10 ⁻⁶	0.15	2°	±0.5	29
FC-32C	32	12	41	6	14	M4	2	4	4800	9.1x10 ⁻⁵	0.15	2°	±0.5	67
FC-40C	40	17	56	8	16	M5	5	10	3800	2.9x10 ⁻⁴	0.2	2°	±0.5	138
FC-50C	50	21	71	12	18	M6	10	20	3100	1.3x10 ⁻⁴	0.2	2°	±0.5	260
FCS-16C	16	6.5	23	5	6	M2.5	0.5	1	9500	9.2x10 ⁻⁷	0.1	2°	±0.3	27
FCS-20C	20	7.5	26	5	8	M2.5	1	2	7600	2.5x10 ⁻⁶	0.1	2°	±0.3	45
FCS-25C	25	8.5	31	5	10	M3	2.1	4.2	6100	7.4x10 ⁻⁶	0.15	2°	±0.4	87
FCS-32C	32	12	41	6	14	M4	3.5	7	4800	2.7x10 ⁻⁵	0.15	2°	±0.5	180

FCDS/FCDSS Type

FEATURES:

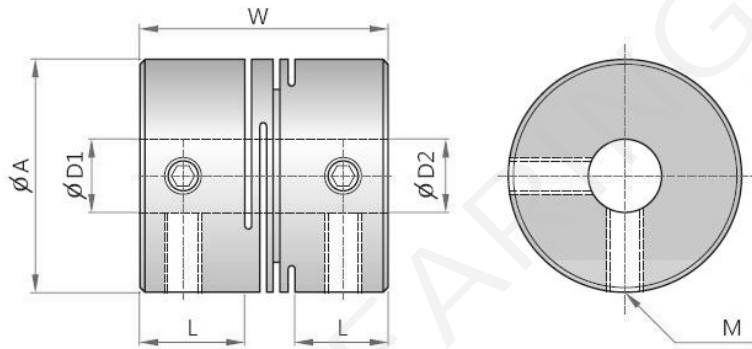
High torsional stiffness and response.
 Maintenance-free, oil and chemical resistant.
 Absorption of eccentricity, angularity, and end-play by spring action.

Material:

FCDS Body: Aluminum Alloy
 FCDSS Body : Stainless steel.

Purchase guide:

Product No. xD1xD2xW(L)



Product No	A	L	W	Stock Bores D1xD2 Min D1	Stock Bores D1xD2 Max D2	M	Rated Torque (N.m)	Max. Torque (N.m)	Max. Rotational Frequency (min ⁻¹)	Moment of Inertia (kg.m ²)	Error of Angularity (°)	Error of Shaft End-Play (mm)	Mass (g)
FCDS-16	16	6.8	18	4	8	M3	0.3	0.6	24000	2.7x10 ⁻⁷	1°	±0.2	7.4
FCDS-20	20	7.6	20	5	10	M3	0.5	1	19000	7.6x10 ⁻⁷	1°	±0.2	12
FCDS-25	25	9.5	25	5	12	M4	1.1	2.2	15000	2.2x10 ⁻⁶	1°	±0.2	24
FCDS-32	32	13	32	6	14	M4	2	4	12000	8.0x10 ⁻⁶	1°	±0.2	50
FCDS-40	40	16	40	8	18	M5	5	10	9600	2.8x10 ⁻⁵	1°	±0.3	98
FCDSS-16	16	6.8	18	4	8	M3	0.5	1	24000	8.6x10 ⁻⁷	1°	±0.1	18
FCDSS-20	20	7.6	20	5	10	M3	1	2	19000	2.4x10 ⁻⁶	1°	±0.1	32
FCDSS-25	25	9.5	25	5	12	M4	2.1	4.2	15000	7.2x10 ⁻⁶	1°	±0.2	63
FCDSS-32	32	13	32	6	14	M4	3.5	7	12000	2.6x10 ⁻⁵	1°	±0.2	130

FCDS-C/FCDSS-C Type

FEATURES:

High torsional stiffness and response.

Maintenance-free, oil and chemical resistant.

Absorption of eccentricity, angularity, and end-play by spring action.

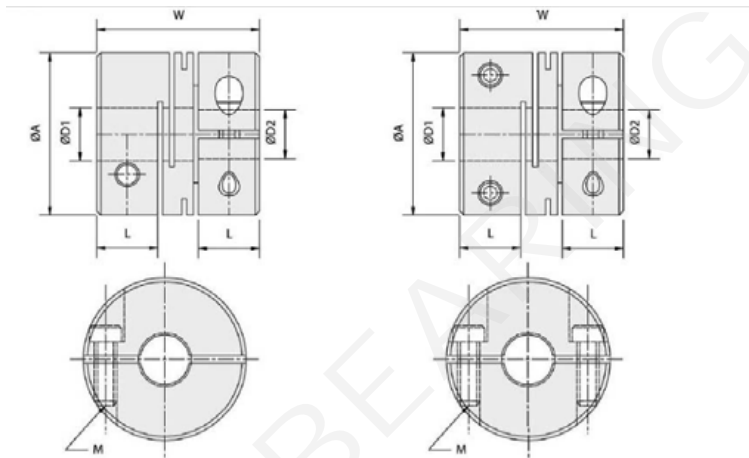
Material:

FC-C Body: Aluminum Alloy

FCDS-C Body : Stainless steel.

Purchase guide:

Product No. xD1xD2xW(L)



Product No	A	L	W	Stock Bores D1xD2 Min D1	Stock Bores D1xD2 Max D2	M	Rated Torque (N.m)	Max. Torque (N.m)	Max. Rotational Frequency (min ⁻¹)	Moment of Inertia (kg.m ²)	Error of Angularity (°)	Error of Shaft End-Play (mm)	Mass (g)
FCDS-16C	16	6.8	18	5	6	M2.5	0.3	0.6	9500	2.8x10 ⁻⁷	1°	±0.2	8.1
FCDS-20C	20	7.6	20	5	8	M2.5	0.5	1	7600	7.5x10 ⁻⁷	1°	±0.2	13
FCDS-25C	25	9.5	25	5	10	M3	1.1	2.2	6100	2.2x10 ⁻⁶	1°	±0.2	25
FCDS-32C	32	12.6	32	8	14	M4	2	4	4800	8.1x10 ⁻⁶	1°	±0.2	53
FCDS-40C	40	15.8	40	8	16	M5	5	10	3800	1.9x10 ⁻⁵	1°	±0.3	110
FCDSS-16C	16	6.8	18	5	6	M2.5	0.5	1	950	7.8x10 ⁻⁷	1°	±0.1	21
FCDSS-20C	20	7.6	20	5	8	M2.5	1	2	7600	2.1x10 ⁻⁶	1°	±0.1	36
FCDSS-25C	25	9.5	25	5	10	M3	2.1	4.2	6100	6.3x10 ⁻⁶	1°	±0.2	70
FCDSS-32C	32	12.6	32	8	14	M4	3.5	7	4800	2.2x10 ⁻⁵	1°	±0.2	150

FCL Type

FEATURES:

High torsional stiffness and response.

Maintenance-free, oil and chemical resistant.

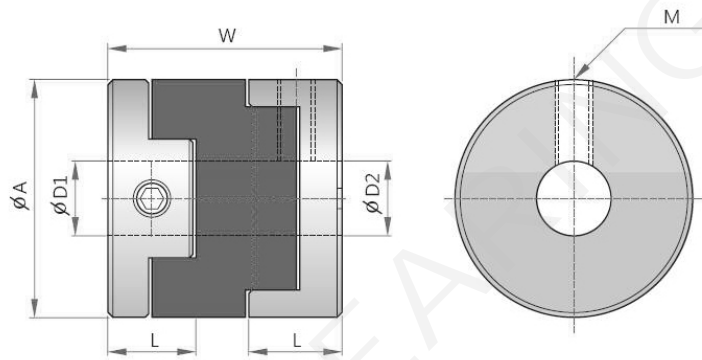
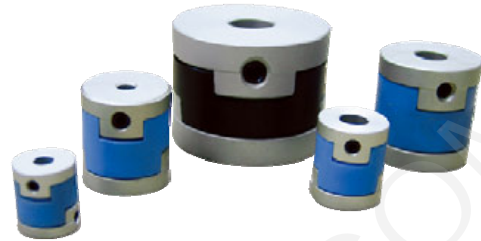
Absorption of eccentricity angularity, and end-play by spring action.

Material:

FCL Body: Aluminum Alloy

Purchase guide:

Product No. xD1xD2xW(L)



Product No	A	L	W	Stock Bores D1xD2 Min D1	Stock Bores D1xD2 Max D2	M	Rated Torque (N.m)	Max. Torque (N.m)	Max. Rotational Frequency (min ⁻¹)	Moment of Inertia (kg.m ²)	Error of Eccentricity (mm)	Error of Angularity (°)	Mass (g)
FCL-16	16	7	18	4	6	M3	0.7	1.4	9500	3.0x10 ⁻⁷	1	3°	6.5
FCL-20	20	9	23	4	8	M4	1.2	2.4	7600	1.1x10 ⁻⁶	1.5	3°	14
FCL-25	25	11	28	5	10	M5	2	4	6100	2.7x10 ⁻⁶	2	3°	27
FCL-32	32	13	33	6	14	M6	4.5	9	4800	9.0x10 ⁻⁶	2.5	3°	45
FCL-40	40	14	32	10	16	M6	9	18	3800	2.2x10 ⁻⁵	3	3°	80
FCL-50	50	17	38	12	20	M8	18	36	3100	6.3x10 ⁻⁴	3.5	3°	150

FCL-C Type

FEATURES:

High torsional stiffness and response.

Maintenance-free, oil and chemical resistant.

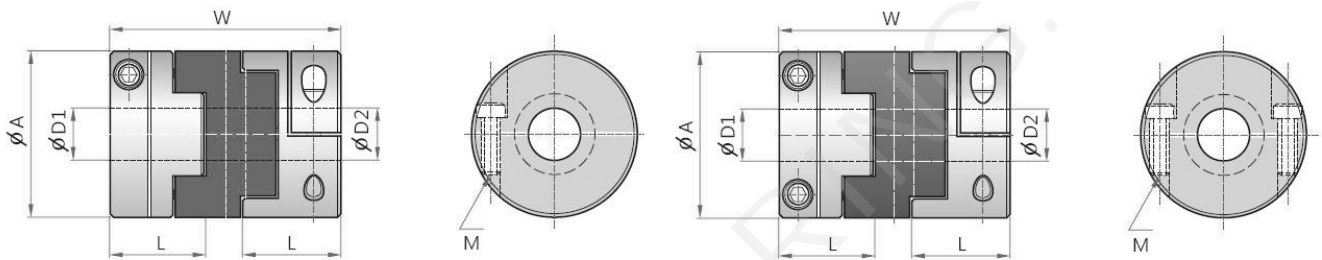
Absorption of eccentricity angularity, and end-play by spring action.

Material:

FCL-C Body: Aluminum Alloy

Purchase guide:

Product No. xD1xD2xW(L)



Product No	A	L	W	Stock Bores D1 x D2 Min D1	Stock Bores D1 x D2 Max D2	M	Rated Torque (N.m)	Max. Torque (N.m)	Max. Rotational Frequency (min ⁻¹)	Moment of Inertia (kg.m ²)	Error of Eccentricity (mm)	Error of Angularity (°)	Mass (g)
FCL-16C	16	13	29	5	6	M2.5	0.7	1.4	9500	5.0 x 10 ⁻⁷	1	3°	11.5
FCL-20C	20	14	33	5	8	M2.5	1.2	2.4	7600	1.3 x 10 ⁻⁶	1.5	3°	19
FCL-25C	25	17	39	5	10	M3	2	4	6100	3.9 x 10 ⁻⁶	2	3°	36
FCL-32C	32	19	45	6	14	M4	4.5	9	4800	1.2 x 10 ⁻⁶	2.5	3°	68
FCL-40C	40	23	50	10	16	M5	9	18	3800	3.5 x 10 ⁻⁵	3	3°	130
FCL-50C	50	27	58	12	20	M6	18	36	3100	1.0 x 10 ⁻⁴	3.5	3°	230

FCH Type

FEATURES:

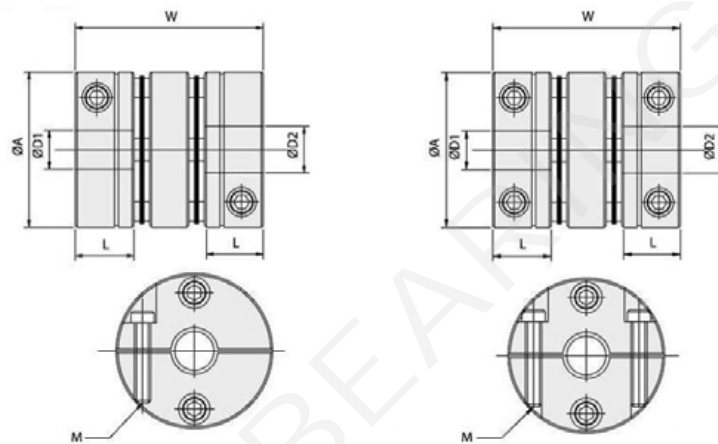
High torsional stiffness and response.
 Maintenance-free, oil and chemical resistant.
 Absorption of eccentricity angularity, and end-play by spring action.

Material:

FCH Body: Aluminum Alloy

Purchase guide:

Product No. xD1xD2xW(L)



Product No	A	L	W	Stock Bores D1xD2 Min D1	Stock Bores D1xD2 Max D2	M	Rated Torque (N.m)	Max. Torque (N.m)	Max. Rotational Frequency (min ⁻¹)	Moment of Inertia (kg.m ²)	Error of Eccentricity (mm)	Error of Angularity (°)	Error of Shaft End-Play (mm)	Mass (g)
FCH-27C	27	11	35	5	10	M3	1.8	3.6	10000	3.0x10 ⁻⁶	0.15	2°	±0.33	35
FCH-35C	35	12	38	6	14	M3	4	8	10000	1.05x10 ⁻⁶	0.17	2°	±0.4	62
FCH-40C	40	15	48	8	16	M4	7	14	10000	26x10 ⁻⁶	0.22	2°	±0.5	116
FCH-45C	45	15	48	10	19	M4	10	20	10000	38x10 ⁻⁶	0.22	2°	±0.6	131
FCH-50C	50	20	62	12	22	M5	16	32	10000	88x10 ⁻⁶	0.24	2°	±0.7	220
FCH-57C	57	20	62	12	25	M5	26	52	10000	142.5x10 ⁻⁶	0.27	2°	±0.8	310
FCH-68C	68	24	74	14	32	M6	62	14	10000	376x10 ⁻⁶	0.35	2°	±0.9	565
FCH-82C	82	30	98	19	35	M8	100	0	10000	1080x10 ⁻⁶	0.55	2°	±1.2	1300
FCH-95C	95	30	98	22	45	M8	180	360	10000	1940x10 ⁻⁶	0.55	2°	±1.3	1500

FCHS Type

FEATURES:

High torsional stiffness and response.

Maintenance-free, oil and chemical resistant.

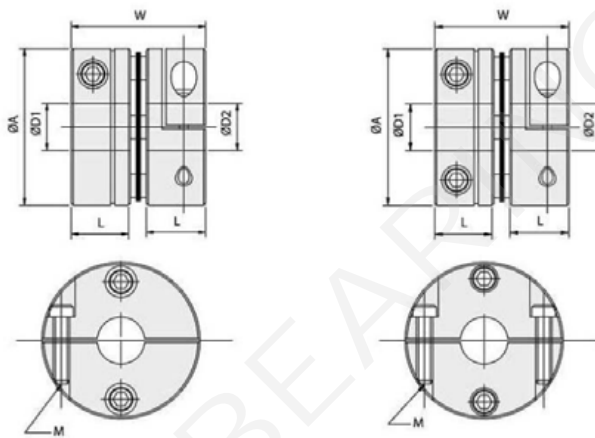
Absorption of eccentricity angularity, and end-play by spring action.

Material:

FCHS Body: Aluminum Alloy

Purchase guide:

Product No. xD1xD2xW(L)



Product No	A	L	W	Stock Bores D1xD2 Min D1	Stock Bores D1xD2 Max D2	M	Rated Torque (N.m)	Max. Torque (N.m)	Max. Rotational Frequency (min ⁻¹)	Moment of Inertia (kg.m ²)	Error of Angularity (°)	Error of Shaft End-Play (mm)	Mass (g)
FCHS-27C	27	11	24.5	5	10	M3	1.8	3.6	10000	2.0x10 ⁻⁶	1°	±0.15	25
FCHS-35C	35	12	27	6	14	M3	4	8	10000	7.5x10 ⁻⁶	1°	±0.2	48
FCHS-40C	40	15	34	8	16	M4	7	14	10000	20x10 ⁻⁶	1°	±0.25	90
FCHS-45C	45	15	34	10	19	M4	10	20	10000	28x10 ⁻⁶	1°	±0.3	98
FCHS-50C	50	20	45	12	22	M5	16	32	10000	68x10 ⁻⁶	1°	±0.35	150
FCHS-57C	57	20	45	12	25	M5	26	52	10000	105x10 ⁻⁶	1°	±0.4	238
FCHS-68C	68	24	54	14	32	M6	62	14	10000	313x10 ⁻⁶	1°	±0.45	470
FCHS-82C	82	30	68	19	35	M8	100	0	10000	830x10 ⁻⁶	1°	±0.6	1050
FCHS-95C	95	30	68	22	45	M8	180	360	10000	1400x10 ⁻⁶	1°	±0.65	1230

FCT Type

FEATURES:

High torsional stiffness and response.

Maintenance-free, oil and chemical resistant.

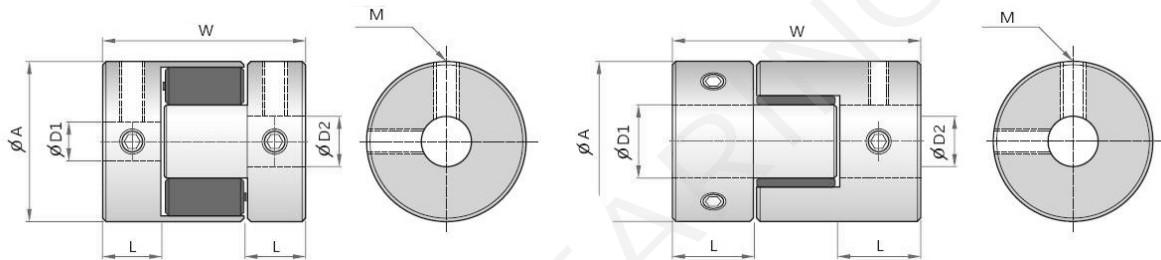
Absorption of eccentricity, angularity, and end-play by spring action.

Material:

FCT Body: Aluminum Alloy

Purchase guide:

Product No. xD1xD2xW(L)



Product No	A	L	W	Stock Bores D1xD2 Min D1	Stock Bores D1xD2 Max D2	M	Rated Torque (N.m)	Max. Torque (N.m)	Max.Rotational Frequency (min ⁻¹)	Moment of Inertia (kg.Ⅱ ²)	Error of Eccentricity (mm)	Error of Angularity (°)	Error of Shaft End-Play (mm)	Mass (g)
FCT-20-RD	20	10	30	4	8	M3	5	10	19000	3.0x10 ⁻⁶	0.1	1°	±0.8	18
FCT-30-RD	30	11	35	6	14	M4	12.5	25	13000	5.9x10 ⁻⁶	0.1	1°	±1.0	46
FCT-40-RD	40	25	66	8	20	M5	17	34	9600	4.0x10 ⁻⁵	0.1	1°	±1.2	150
FCT-55-RD	55	30	78	10	25	M6	60	120	7000	1.7x10 ⁻⁴	0.1	1°	±1.4	350
FCT-65-RD	65	35	90	12	35	M8	160	320	5900	3.9x10 ⁻⁴	0.1	1°	±1.5	570

FCT-C Type

FEATURES:

High torsional stiffness and response.

Maintenance-free, oil and chemical resistant.

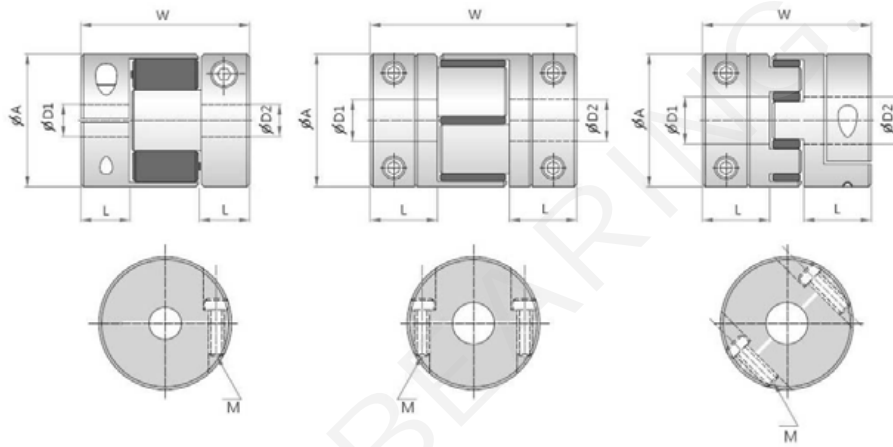
Absorption of eccentricity angularity, and end-play by spring action.

Material:

FCT-C Body: Aluminum Alloy

Purchase guide:

Product No. xD1xD2xW(L)



Product No	A	L	W	Stock Bores D1xD2 Min D1	Stock Bores D1xD2 Max D2	M	Rated Torque (N.m)	Max. Torque (N.m)	Max. Rotational Frequency (min ⁻¹)	Moment of Inertia (kg.m ²)	Error of Eccentricity (mm)	Error of Angularity (°)	Error of Shaft End-Play (mm)	Mass (g)
FCT-20C-RD	20	10	30	5	8	M2.5	5	10	7600	1.1x10 ⁻⁶	0.1	1°	±0.8	19
FCT-30C-RD	30	11	35	6	14	M4	12.5	25	5100	6.2x10 ⁻⁶	0.1	1°	±1.0	50
FCT-40C-RD	40	25	66	8	19	M5	17	34	3800	3.9x10 ⁻⁵	0.1	1°	±1.2	160
FCT-55C-RD	55	30	78	10	25	M6	60	120	2800	1.6x10 ⁻⁴	0.1	1°	±1.4	330
FCT-65C-RD	65	35	90	12	35	M8	160	320	2350	3.8x10 ⁻⁴	0.1	1°	±1.5	560

FCR/FCRS Type

FEATURES:

High torsional stiffness and response.

Maintenance-free, oil and chemical resistant.

Absorption of eccentricity, angularity, and end-play by spring action.

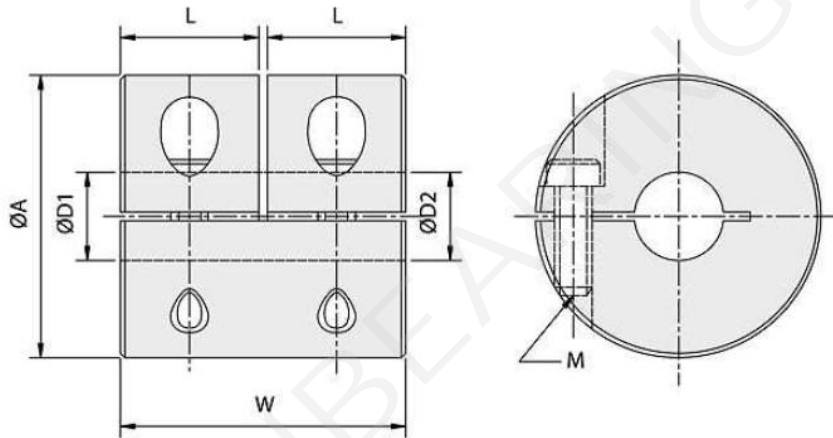
Material:

FCR Body: Aluminum Alloy

FCRS Body: Stainless steel.

Purchase guide:

Product No. xD1xD2xW(L)



Product No	A	L	W	Stock Bores D1xD2 Min D1	Stock Bores D1xD2 Max D2	M	Rated Torque (N.m)	Max. Torque (N.m)	Max. Rotational Frequency (min ⁻¹)	Moment of Inertia (kg.m ²)	Mass (g)
FCR-16C	16	7.5	16	5	6	M2.5	0.3	0.6	9500	2.7x10 ⁻⁷	9
FCR-20C	20	9.5	20	6	8	M2.5	0.5	1	7600	7.9x10 ⁻⁷	15
FCR-25C	25	12	25	8	10	M3	1.1	2.2	6100	2.5x10 ⁻⁶	30
FCR-32C	32	15.5	32	10	14	M4	2	4	4800	7.8x10 ⁻⁶	65
FCRS-16C	16	7.5	16	5	6	M2.5	0.5	1	9500	7.5x10 ⁻⁷	18
FCRS-20C	20	9.5	20	6	8	M2.5	1	2	7600	2.2x10 ⁻⁶	37
FCRS-25C	25	12	25	8	10	M3	2.1	4.2	6100	6.9x10 ⁻⁶	75
FCDSS-32C	32	15.5	32	10	14	M4	3.5	7	4800	2.4x10 ⁻⁵	162