

Cross roller way (slide way) is new products of IXIN, with high rigidity and high capacity, this products has been widely used in automatic machine, small space motion. please contact for details.

FEATURES:

- Suitable for Minute Motion
- High Rigidity and High Load Capacity
- Low Noise
- All Stainless Steel Type Available
- Easy Mounting

Material:

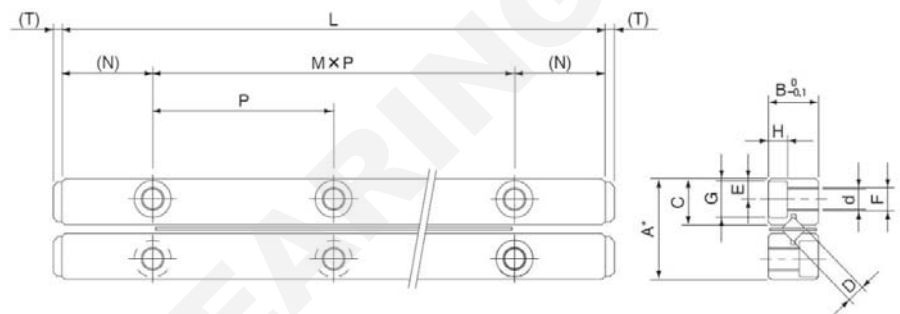
GCr15 bearing steel, Stainless steel, brass

Catalog Index (please click for selection)

- VR(SV) type Cross roller guide, Slide way
- VRW(SVW) type Cross roller guide, Slide way
- VR(R) type cages
- VRU(SVT) Slide table, Cross roller table
- VRT(SYT) Slide table, Cross roller table
- VRT-A Slide table, Cross roller table

Interchange table

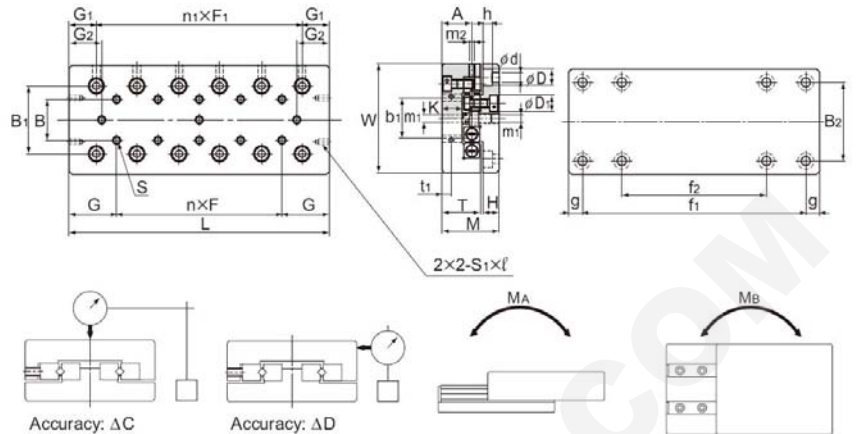
VR(SV) type Cross roller guide, Slide way



Part No.	stroke	D	Z	L	A	B	C	MxP	N	E	F	d	G	H	T	dynamic	static	F	Mass
standard	mm			mm	mm	mm	mm	mm	mm	mm		mm	mm	mm	mm	C (kn)	Co (kn)	kn	(g)
VR/CRW1020-5Z	12		5	20				1x10	5	1.8	M2	1.65	3	1.4	0.8	0.42	0.43	0.14	11
1030-7Z	20		7	30				2x10								0.58	0.64	0.21	14
1040-10Z	27		10	40				3x10								0.86	1.07	0.36	18
1050-13Z	32	1.5	13	50	8.5	4	3.9	4x10	5	1.8	M2	1.65	3	1.4	0.8	0.99	1.28	0.43	22
1060-16Z	37		16	60				5x10								1.24	1.71	0.57	26
1070-19Z	42		19	70				6x10								1.36	1.93	0.64	30
1080-21Z	50		21	80				7x10								1.49	2.14	0.71	34
VR/CRW2030-5Z	18		5	30				1x15	7.5	2.5	M3	2.55	4.4	2	2	0.98	1.05	0.35	28
2045-8Z	24		8	45				2x15								1.71	2.11	0.70	42
2060-11Z	30		11	60				3x15								2.04	2.64	0.88	55
2075-13Z	44		13	75				4x15								2.36	3.16	1.05	69
2090-16Z	50		16	90				5x15								2.95	4.21	1.40	83
2105-18Z	64		18	105				6x15								3.23	4.74	1.58	96
2120-21Z	70	2	21	120	12	6	5.6	7x15	7.5	2.5	M3	2.55	4.4	2	2	3.51	5.27	1.76	110
2135-23Z	84		23	135				8x15								3.79	5.80	1.93	123
2150-26Z	90		26	150				9x15								4.31	6.85	2.28	137
2165-29Z	95		29	165				10x15								4.57	7.38	2.46	151
2180-32Z	100		32	180				11x15								5.08	8.43	2.81	165
VR/CRW3050-7Z	28		7	50				1x25	12.5	3.5	M4	3.3	6	3.1	2	3.14	3.50	1.16	94
3075-10Z	48		10	75				2x25								4.71	5.84	1.94	135
3100-14Z	58		14	100				3x25								6.13	8.17	2.72	187
3125-17Z	78		17	125				4x25								6.80	9.27	3.11	234
3150-21Z	88		21	150				5x25								8.10	11.61	3.89	281
3175-24Z	105		24	175				6x25								9.27	13.95	4.66	327
3200-28Z	115		28	200				7x25								10.53	16.29	5.44	374
3225-31Z	135	3	31	225	18	8	8.3	8x25	12.5	3.5	M4	3.3	6	3.1	2	11.07	17.46	5.83	421
3250-35Z	145		35	250				9x25								12.24	19.80	6.61	468
3275-38Z	165		38	275				10x25								13.32	22.14	7.38	514
3300-42Z	175		42	300				11x25								14.40	24.48	8.16	561
3325-45Z	195		45	325				12x25								14.94	25.65	8.55	608
3350-49Z	205		49	350				13x25	20	4.5	M5	4.3	8	4.2	2	16.02	27.99	9.27	655

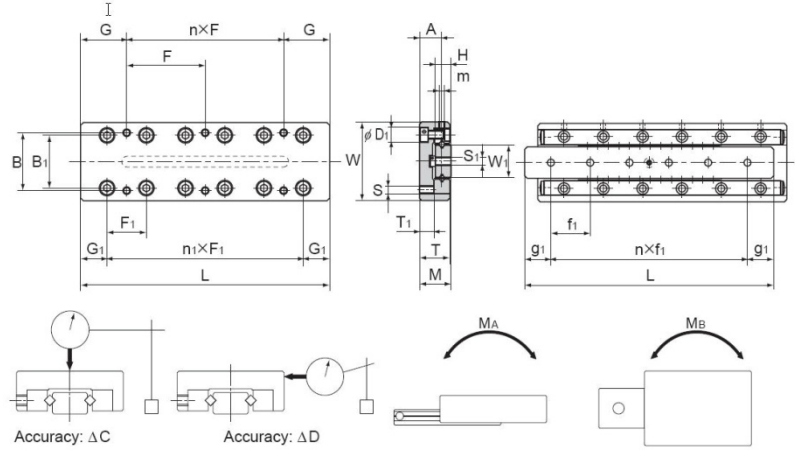
Part No.	stroke	D	Z	L	A	B	C	MxP	N	E	F	d	G	H	T	dynamic	static	F	Mass
standard	mm			mm	mm	mm	mm	mm	mm	mm		mm	mm	mm	mm	C (kn)	Co(kn)	kn	(g)
VR/CRW4080-7Z	58		7	80				10								6.40	7.13	2.38	255
4120-11Z	82		11	120				20								9.54	11.88	3.96	385
4160-15Z	105		15	160				30								12.42	16.56	5.54	510
4200-19Z	130		19	200				40								15.12	21.33	7.13	635
4240-23Z	150		23	240				50								17.73	26.10	8.71	770
4280-27Z	175		27	280				60								20.16	30.87	10.26	905
4320-31Z	200	4	31	320	22	11	10.2	70	20	4.5	M5	4.3	8	4.2	2	22.59	35.64	11.88	1020
4360-35Z	225		35	360				80								24.84	40.32	13.41	1160
4400-39Z	250		39	400				90								27.18	45.09	15.03	1280
4440-43Z	270		43	440				100								29.34	49.86	16.56	1410
4480-47Z	295		47	480				110								31.50	54.63	18.18	1540
VR/CRW6100-8Z	55		8	100				1x50	25	6	M6	5.2	9.5	5.2	3	18.63	21.24	7.09	628
6150-12Z	85		12	150				2x50								25.65	31.95	10.62	942
6200-16Z	120		16	200				3x50								32.13	42.57	14.13	1260
6250-20Z	150		20	250				4x50								38.25	53.28	17.73	1570
6300-24Z	185		24	300				5x50								44.10	63.90	12.24	1880
6350-28Z	215	6	28	350	31	15	14.4	6x50	25	6	M6	5.2	9.5	5.2	3	49.77	74.52	24.84	2200
6400-32Z	245		32	400				7x50								55.26	85.23	28.35	2510
6450-36Z	280		36	450				8x50								60.57	95.40	31.86	2830
6500-40Z	310		40	500				9x50								65.79	106.20	35.46	3140
6600-49Z	360		49	600				11x50								75.78	127.80	42.57	3770
VR/CRW9200-10Z	115		10	200				1x100	50	9	M8	6.8	10.5	6.2	4	54.81	63.63	21.15	2720
9300-15Z	175		15	300				2x100								71.37	89.01	29.61	4030
9400-20Z	235		20	400				3x100								93.60	126.90	42.30	5380
9500-25Z	295		25	500				4x100								108.00	152.10	50.76	6700
9600-30Z	355		30	600				5x100								128.70	190.80	63.45	8050
9700-35Z	415	9	35	700	44	22	20.2	6x100	50	9	M8	6.8	10.5	6.2	4	142.20	216.00	71.91	9230
9800-40Z	475		40	800				7x100								162.00	253.80	84.60	10500
9900-45Z	535		45	900				8x100								173.70	279.90	92.70	11900
91000-50Z	595		50	1000				9x100								192.60	317.70	105.30	13000
VR/CRW12300-10Z	200		10	300				2x100	50	12	M10	8.5	13.5	8.2	4	111.60	130.50	43.47	6880
12400-14Z	240		14	400				3x100								145.80	182.70	60.84	9090
12500-17Z	320		17	500				4x100								162.00	208.80	69.48	11400
12600-21Z	360		21	600				5x100								192.60	261.00	86.94	13700
12700-24Z	440		24	700				6x100								222.30	313.20	103.50	15800
12800-28Z	480	12	28	800	58	28	28	7x100	50	12	M10	8.5	13.5	8.2	4	251.10	365.40	121.50	18200
12900-31Z	560		31	900				8x100								264.60	391.50	129.60	20500
121000-34Z	640		34	1000				9x100								291.60	443.70	147.60	22800
121100-38Z	680		38	1100				10x100								318.60	495.90	164.70	25000
121200-42Z	720		42	1200				11x100								343.80	548.10	181.80	27300
VR/CRW 15300-8Z	190		8	300				2x100	50	14	M12	10.5	17.5	10.2	6	156.2	182.7	60.9	
15400-11Z	240		11	400				3x100								204.1	255.8	85.2	
15500-13Z	340		13	500				4x100								226.8	292.3	97.3	
15600-16Z	390	15	16	600	71	36	34.4	5x100	50	14	M12	10.5	17.5	10.2	6	269.6	365.4	121.7	
15700-19Z	440		19	700				6x100								311.2	438.5	144.9	
15800-22Z	490		22	800				7x100								351.5	511.6	170.1	
15900-25Z	540		25	900				8x100								370.4	548.1	181.4	
151000-27Z	640		27	1000				9x100								408.2	621.2	206.6	
VR/CRW 18300-6Z	228		6	300				2x100	50	18	M12	12.5	20	10.2	6	218.7	255.8	85.2	
18400-9Z	248		9	400				3x100								285.8	358.1	119.2	
18500-11Z	328		11	500				4x100								317.5	409.2	136.2	
18600-13Z	408	15	13	600	83	40	40.2	5x100	50	18	M12	12.5	20	10.2	6	377.5	511.6	170.4	
18700-16Z	428		16	700				6x100								435.7	613.9	202.9	
18800-18Z	508		18	800				7x100								492.2	716.2	238.1	
18900-20Z	588		20	900				8x100								518.6	767.3	254.0	
181000-23Z	608		23	1000				9x100								571.5	869.7	289.3	

VRU(SVT) Slide table, Cross roller table



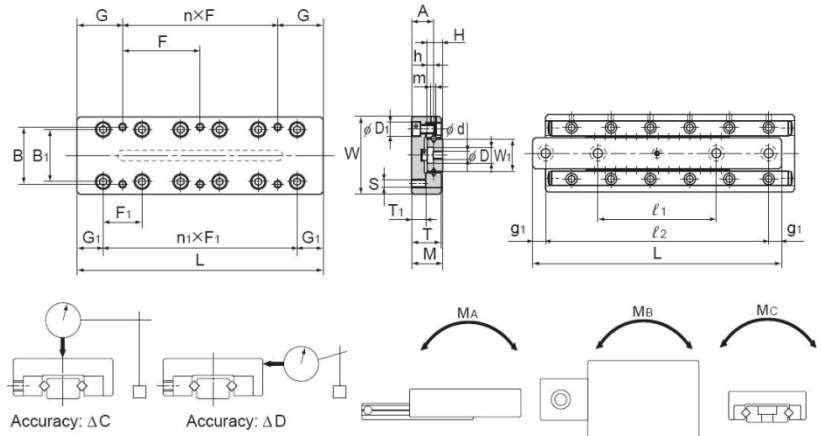
Part No.	Main Dimension(mm)					Table surface dimensions										Slide surface dimensions										Mounting hole				Load(kn)			Permit Moment			Accuracy		
	Stroke	W±0.1	M±0.1	Mass(kg)		B	nxF	G	S	B1	n1xF1	G1	G2	b1	t1	s1xI	T	H	K	dxD-h	D1	m1	A	m2	B2	f1	f2	f3	f4	g	Z	C	CO	MA	MB	MC	ΔC	ΔD
VRU 1025	12	30	17	25	0.08(0.04)	10	-	12.5	M2	18.4	1x10	75	2.5	12.2.5	M2	11	5.5	6.5	2.55x4.1x2.5	4.1	M2	9	M2	22	18	-	-	-	3.5	5	0.28	0.27	0.75	0.46	1.24	2	4	
1035	18	30	17	35	0.11(0.05)	10	1x10	12.5	M2	18.4	2x10	75	4.5	12.2.5	M2	11	5.5	6.5	2.55x4.1x2.5	4.1	M2	9	M2	22	28	-	-	-	3.5	7	0.38	0.41	1.23	0.85	1.85	2	4	
1045	25	30	17	45	0.15(0.07)	10	2x10	12.5	M2	18.4	3x10	75	6	12.2.5	M2	11	5.5	6.5	2.55x4.1x2.5	4.1	M2	9	M2	22	38	-	-	-	3.5	10	0.56	0.69	2.18	1.67	3.09	2	4	
1055	32	30	17	55	0.18(0.09)	10	3x10	12.5	M2	18.4	4x10	75	7.5	12.2.5	M2	11	5.5	6.5	2.55x4.1x2.5	4.1	M2	9	M2	22	48	28	-	-	3.5	12	0.65	0.82	2.97	2.35	3.71	2	5	
1065	40	30	17	65	0.21(0.1)	10	4x10	12.5	M2	18.4	5x10	75	8.5	12.2.5	M2	11	5.5	6.5	2.55x4.1x2.5	4.1	M2	9	M2	22	58	38	-	-	3.5	14	0.73	0.96	3.87	3.17	4.33	2	5	
1075	45	30	17	75	0.24(0.12)	10	5x10	12.5	M2	18.4	6x10	75	11	12.2.5	M2	11	5.5	6.5	2.55x4.1x2.5	4.1	M2	9	M2	22	68	48	-	-	3.5	18	0.87	1.27	6.05	5.16	5.74	2	5	
1085	50	30	17	85	0.27(0.13)	10	6x10	12.5	M2	18.4	7x10	75	13.5	12.2.5	M2	11	5.5	6.5	2.55x4.1x2.5	4.1	M2	9	M2	22	78	58	-	-	3.5	20	0.94	1.37	7.32	6.34	6.18	2	5	
VRU 2035	18	40	21	35	0.2(0.09)	15	-	17.5	M3	25	1x15	10	3	16.3.4	M2	14	6.5	7.5	3.5x6x3.5	6	M3	11	M3	30	25	-	-	-	5	5	0.51	0.51	2.29	1.4	3.06	2	4	
2050	30	40	21	50	0.26(0.13)	15	1x15	17.5	M3	25	2x15	10	4.5	16.3.4	M2	14	6.5	7.5	3.5x6x3.5	6	M3	11	M3	30	40	-	-	-	5	7	0.69	0.76	3.76	2.6	4.59	2	4	
2065	40	40	21	65	0.34(0.17)	15	2x15	17.5	M3	25	3x15	10	7	16.3.4	M2	14	6.5	7.5	3.5x6x3.5	6	M3	11	M3	30	55	-	-	-	5	9	0.85	0.98	5.62	1.17	5.89	2	5	
2080	50	40	21	80	0.42(0.21)	15	3x15	17.5	M3	25	4x15	10	9.5	16.3.4	M2	14	6.5	7.5	3.5x6x3.5	6	M3	11	M3	30	70	40	-	-	5	12	1.18	1.57	9.1	7.22	9.42	2	5	
2095	60	40	21	95	0.5(0.25)	15	4x15	17.5	M3	25	5x15	10	12	16.3.4	M2	14	6.5	7.5	3.5x6x3.5	6	M3	11	M3	30	85	55	-	-	5	14	1.27	1.76	11.8	9.7	10.5	2	5	
2110	70	40	21	110	0.58(0.29)	15	5x15	17.5	M3	25	6x15	10	14.5	16.3.4	M2	14	6.5	7.5	3.5x6x3.5	6	M3	11	M3	30	100	70	-	-	5	17	1.47	2.06	16.7	14.1	12.3	3	6	
2125	80	40	21	125	0.66(0.33)	15	6x15	17.5	M3	25	7x15	10	17	16.3.4	M2	14	6.5	7.5	3.5x6x3.5	6	M3	11	M3	30	115	85	-	-	5	19	1.57	2.25	20.4	17.5	13.5	3	6	
VRU 3055	30	60	28	55	0.57(0.23)	25	-	27.5	M4	39	1x25	15	5.5	40.5.5	M3	18.5	9	10	4.5x7.5x5	7.5	M4	14.5	M4	40	35	-	-	-	10	6	1.47	1.67	9.85	6.54	15.5	2	5	
3080	45	60	28	80	0.8(0.4)	25	1x25	27.5	M4	39	2x25	15	10.5	40.5.5	M3	18.5	9	10	4.5x7.5x5	7.5	M4	14.5	M4	40	60	-	-	-	10	10	2.06	2.75	22.2	17	25.6	2	5	
3105	60	60	28	105	1.03(0.6)	25	2x25	27.5	M4	39	3x25	15	15.5	40.5.5	M3	18.5	9	10	4.5x7.5x5	7.5	M4	14.5	M4	40	85	-	-	-	10	13	2.35	3.33	34.8	28.1	31.1	3	6	
3130	75	60	28	130	1.26(0.7)	25	3x25	27.5	M4	39	4x25	15	20.5	40.5.5	M3	18.5	9	10	4.5x7.5x5	7.5	M4	14.5	M4	40	110	-	-	-	10	17	2.94	4.41	55.8	47.1	41.2	3	6	
3155	90	60	28	155	1.499(0.9)	25	4x25	27.5	M4	39	5x25	15	25.5	40.5.5	M3	18.5	9	10	4.5x7.5x5	7.5	M4	14.5	M4	40	135	-	85	-	10	20	3.53	5.49	74.7	64.6	51.2	3	6	
3180	105	60	28	180	1.72(1.0)	25	5x25	27.5	M4	39	6x25	15	30.5	40.5.5	M3	18.5	9	10	4.5x7.5x5	7.5	M4	14.5	M4	40	160	-	110	-	10	24	4.02	6.57	104	92.3	61.3	3	7	
3205	130	60	28	205	1.95(1.1)	25	6x25	27.5	M4	39	7x25	15	30.5	40.5.5	M3	18.5	9	10	4.5x7.5x5	7.5	M4	14.5	M4	40	185	85	135	-	10	26	4.22	7.16	120	107	55.8	3	7	
VRU 4085	50	80	35	85	1.5(0.8)	40	-	42.5	M5x0.8	53	1x40	22.5	10.5	55.6.5	M3	24	10.5	12.5	5.5x9.5x6	9.5	M4	18.5	M4	60	65	-	-	-	10	7	3.53	4.8	48.7	33.7	64	2	5	
4125	75	80	35	125	2.3(1.2)	40	1x40	42.5	M5x0.8	53	2x40	22.5	18	55.6.5	M3	24	10.5	12.5	5.5x9.5x6	9.5	M4	18.5	M4	60	80	-	-	-	22.5	11	5.2	8.04	101	79.01	107	3	6	
4165	105	80	35	165	3.1(1.5)	40	2x40	42.5	M5x0.8	53	3x40	22.5	23	55.6.5	M3	24	10.5	12.5	5.5x9.5x6	9.5	M4	18.5	M4	60	120	-	-	-	22.5	14	6.77	11.3	153	12.5	150	3	7	
4205	135	80	35	205	3.8(1.9)	40	3x40	42.5	M5x0.8	53	4x40	22.5	30.5	55.6.5	M3	24	10.5	12.5	5.5x9.5x6	9.5	M4	18.5	M4	60	160	80	-	-	22.5	18	8.14	14.5	239	204	193	3	7	
4245	155	80	35	245	4.6(2.2)	40	4x40	42.5	M5x0.8	53	5x40	22.5	38	55.6.5	M3	24	10.5	12.5	5.5x9.5x6	9.5	M4	18.5	M4	60	200	120	-	-	22.5	22	9.42	17.7	344	302	235	3	7	
4285	185	80	35	285	5.3(2.6)	40	5x40	42.5	M5x0.8	53	6x40	22.5	43	55.6.5	M3	24	10.5	12.5	5.5x9.5x6	9.5	M4	18.5	M4	60	240	160	-	-	22.5	26	10.7	20.9	468	418	352.78	3	7	
VRU 6110	60	100	45	110	3.2(1.7)	50	-	55	M6	63	1x50	30	16	60	8	M4	31	13	15	7x11x7	11	M5	23.5	M5	60	90	-	-	-	10	6	7.45	10.6	121	80.5	158	3	6
6160	95	100	45	160	4.6(2.5)	50	1x50	55	M6	63	2x50	30	23.5	60	8	M4	31	13	15	7x11x7	11	M5	23.5	M5	60	140	-	-	-	10	9	9.31	14.1	231	171	511	3	6
6210	130	100	45	210	6.0(3.2)	50	2x50	55	M6	63	3x50	30	31	60	8	M4	31	13	15	7x11x7	11	M5	23.5	M5	60	190	-	90	-	10	13	12.5	21.1	248	345	317	3	7
6260	165	100	45	260	7.4(4.0)	50	3x50	55	M6	63	4x50	30	38.5	60	8	M4	31	13	15	7x11x7	11	M5	23.5	M5	60	240	-	140	-	10	16	15.6	28.2	616	516	423	3	7
6310	200	100	45	310	8.7(4.8)	50	4x50	55	M6	63	5x50	30	46	60	8	M4	31	13	15	7x11x7	11	M5	23.5	M5	60	290	-	190	-	10	19	17.1	31.8	838	720	476	4	8
6360	235	100	45	360	10.1(5.6)	50	5x50	55	M6	63	6x50	30	53.5	60	8	M4	31	13	15	7x11x7	11	M5	23.5	M5	60	340	140	240	-	10	22	19.8	38.8	1090	958	582	4	8
6410	265	100	45	410	11.5(6.4)	50	6x50	55	M6	63	7x50	30	63.5	60	8	M4	31	13	15	7x11x7	11	M5	23.5	M5	60	390	190	290	-	10	26	22.5	45.9	1480	1320	688	4	8
VRU 9210	130																																					

VRT(SYT) Slide table, Cross roller table



Part No.	Main Dimension(mm)				Table surface dimensions										Slide surface dimensions						Mounting hole				Load(kn)			Permit Moment			Accuracy		
	Stroke	W±0.1	M±0.1	L	g	B	F	nxF	G	S	F1	n1xF1	B1	D1	G1	T	T1	H	W1	A	m	S1	f1	n1xf1	g1	Z	C	C0	MA	MB	MC	ΔC	ΔD
VRT 1025	12	20	8	25	23	14	18	1x18	3.5	M2.6	10	1x10	12.4	4.1	7.5	7.5	3.5	4	6.6	5.5	M2	M2.6	7.5	2x7.5	5	5	0.28	0.27	0.75	0.46	0.69	2	4
1035	18	20	8	35	32	14	28	1x28	3.5	M2.6	10	2x10	12.4	4.1	7.5	7.5	3.5	4	6.6	5.5	M2	M2.6	10	2x10	7.5	7	0.38	0.41	1.23	0.85	1.03	2	4
1045	25	20	8	45	42	14	20	1x20	12.5	M2.6	10	3x10	12.4	4.1	7.5	7.5	3.5	4	6.6	5.5	M2	M2.6	10	3x10	7.5	10	0.56	0.69	2.18	1.67	1.72	2	5
1055	32	20	8	55	52	14	30	1x30	12.5	M2.6	10	4x10	12.4	4.1	7.5	7.5	3.5	4	6.6	5.5	M2	M2.6	10	4x10	7.5	12	0.65	0.82	2.97	2.35	2.06	2	5
1065	40	20	8	65	62	14	20	2x20	12.5	M2.6	10	5x10	12.4	4.1	7.5	7.5	3.5	4	6.6	5.5	M2	M2.6	10	5x10	7.5	14	0.73	0.96	3.87	3.17	2.4	2	5
1075	45	20	8	75	72	14	30	1x30	22.5	M2.6	10	6x10	12.4	4.1	7.5	7.5	3.5	4	6.6	5.5	M2	M2.6	10	6x10	7.5	18	0.87	1.27	6.05	5.16	3.19	2	5
1085	50	20	8	85	82	14	30	2x30	12.5	M2.6	10	7x10	12.4	4.1	7.5	7.5	3.5	4	6.6	5.5	M2	M2.6	10	7x10	7.5	20	0.94	1.37	7.32	6.37	3.43	2	5
VRT 2035	18	30	12	35	28	22	28	1x28	3.5	M3	15	1x15	20	6	10	11.5	5.5	6	12	8.5	M2	M3	20	1x20	7.5	5	0.51	0.51	2.29	1.37	2.21	2	4
2050	30	30	12	50	113	22	43	1x43	3.5	M3	15	2x15	20	6	10	11.5	5.5	6	12	8.5	M2	M3	15	2x15	10	7	0.69	0.69	3.76	2.65	3.22	2	4
2065	40	30	12	65	147	22	30	1x30	17.5	M3	15	3x15	20	6	10	11.5	5.5	6	12	8.5	M2	M3	15	3x15	10	9	0.85	0.85	5.62	4.22	4.25	2	5
2080	50	30	12	80	184	22	45	1x45	17.5	M3	15	4x15	20	6	10	11.5	5.5	6	12	8.5	M2	M3	15	4x15	10	12	0.98	0.98	9.1	7.26	5.52	2	5
2095	60	30	12	95	220	22	30	2x30	17.5	M3	15	5x15	20	6	10	11.5	5.5	6	12	8.5	M2	M3	15	5x15	10	14	1.18	1.18	11.8	9.741	6.8	2	5
2110	70	30	12	110	257	22	45	1x45	32.5	M3	15	6x15	20	6	10	11.5	5.5	6	12	8.5	M2	M3	15	6x15	10	17	1.47	1.47	16.7	14.1	8.93	2	5
2125	80	30	12	125	290	22	45	2x45	17.5	M3	15	7x15	20	6	10	11.5	5.5	6	12	8.5	M2	M3	15	7x15	10	19	1.57	1.57	20.4	17.5	9.77	2	5
VRT 3055	30	40	16	55	220	30	40	1x40	7.5	M4	25	1x25	28.4	7.5	15	15	15.5	8	16	11.5	M2	M4	35	1x35	10	6	1.27	1.37	9.85	6.57	7.97	2	5
3080	45	40	16	80	336	30	65	1x65	7.5	M4	25	2x25	28.4	7.5	15	15	15.5	8	16	11.5	M2	M4	25	2x25	15	10	2.16	2.84	22.2	47	16.5	2	5
3105	60	40	16	105	442	30	50	1x50	27.5	M4	25	3x25	28.4	7.5	15	15	15.5	8	16	11.5	M2	M4	25	3x25	15	13	2.94	4.22	34.8	28.1	24.4	5	6
3130	75	40	16	130	551	30	75	1x75	27.5	M4	25	4x25	28.4	7.5	15	15	15.5	8	16	11.5	M2	M4	25	4x25	15	17	3.63	5.69	55.8	47.1	33.3	5	6
3155	90	40	16	155	657	30	50	2x50	27.5	M4	25	5x25	28.4	7.5	15	15	15.5	8	16	11.5	M2	M4	25	5x25	15	20	3.92	6.37	74.7	64.6	36.9	5	6
3180	105	40	16	180	766	30	75	1x75	52.5	M4	25	6x25	28.4	7.5	15	15	15.5	8	16	11.5	M2	M4	25	6x25	15	24	4.02	6.57	104	92.3	38.1	5	6
3205	130	40	16	205	871	30	75	2x75	27.5	M4	25	7x25	28.4	7.5	15	15	15.5	8	16	11.5	M2	M4	25	7x25	15	26	4.22	7.16	120	107	41.5	5	6

VRT-A Slide table, Cross roller table



Part No.	Main Dimension(mm)				Table surface dimensions											Slide surface dimensions					Mounting hole			Load(kn)			Permit Moment		Accuracy								
	stroke	W±0.1	M±0.1	L	g	B	F	n×F	G	S	F1	n1×F1	S1xD1xh	l1	l2	g	B1	D1	G1	T	T1	H	W1	A	m	S1	f1	n1×f1	g1	Z	C	C0	MA	MB	MC	ΔC	ΔD
VRT 1025A	12	20	8	25	23	14	18	1×18	3.5	M2.6	10	1×10	2.5x4.1x2.2	18	3.5	12.4	4.1	7.5	7.5	3.5	4	6.6	5.5	M2	M2.6	7.5	2×7.5	5	5	0.28	0.27	0.75	0.46	0.69	2	4	
1035A	18	20	8	35	32	14	28	1×28	3.5	M2.6	10	2×10	2.5x4.1x2.2	25	5	12.4	4.1	7.5	7.5	3.5	4	6.6	5.5	M2	M2.6	10	2×10	7.5	7	0.38	0.41	1.23	0.85	1.03	2	4	
1045A	25	20	8	45	42	14	20	1×20	12.5	M2.6	10	3×10	2.5x4.1x2.2	25	38	3.5	12.4	4.1	7.5	7.5	3.5	4	6.6	5.5	M2	M2.6	10	3×10	7.5	10	0.56	0.69	2.18	1.67	1.72	2	5
1055A	32	20	8	55	52	14	30	1×30	12.5	M2.6	10	4×10	2.5x4.1x2.2	29	48	3.5	12.4	4.1	7.5	7.5	3.5	4	6.6	5.5	M2	M2.6	10	4×10	7.5	12	0.65	0.82	2.97	2.35	2.06	2	5
1065A	40	20	8	65	62	14	20	2×20	12.5	M2.6	10	5×10	2.5x4.1x2.2	31	55	5	12.4	4.1	7.5	7.5	3.5	4	6.6	5.5	M2	M2.6	10	5×10	7.5	14	0.73	0.96	3.87	3.17	2.4	2	5
1075A	45	20	8	75	72	14	30	1×30	22.5	M2.6	10	6×10	2.5x4.1x2.2	35	65	5	12.4	4.1	7.5	7.5	3.5	4	6.6	5.5	M2	M2.6	10	6×10	7.5	18	0.87	1.27	6.05	5.16	3.19	2	5
1085A	50	20	8	85	82	14	30	2×30	12.5	M2.6	10	7×10	2.5x4.1x2.2	40	75	5	12.4	4.1	7.5	7.5	3.5	4	6.6	5.5	M2	M2.6	10	7×10	7.5	20	0.94	1.37	7.32	6.37	3.43	2	5
VRT 2035A	18	30	12	35	78	22	28	1×28	3.5	M3	15	1×15	3.5x6x3.2	25	5	20	6	10	11.5	5.5	6	12	8.5	M2	M3	20	1×20	7.5	5	0.51	0.51	2.29	1.37	2.21	2	4	
2050A	30	30	12	50	113	22	43	1×43	3.5	M3	15	2×15	3.5x6x3.2	35	7.5	20	6	10	11.5	5.5	6	12	8.5	M2	M3	15	2×15	10	7	0.69	0.69	3.76	2.65	3.22	2	4	
2065A	40	30	12	65	147	22	30	1×30	17.5	M3	15	3×15	3.5x6x3.2	33	55	5	20	6	10	11.5	5.5	6	12	8.5	M2	M3	15	3×15	10	9	0.85	0.85	5.62	4.22	4.25	2	5
2080A	50	30	12	80	184	22	45	1×45	17.5	M3	15	4×15	3.5x6x3.2	40	70	5	20	6	10	11.5	5.5	6	12	8.5	M2	M3	15	4×15	10	12	0.98	0.98	9.1	7.26	5.52	2	5
2095A	60	30	12	95	220	22	30	2×30	17.5	M3	15	5×15	3.5x6x3.2	45	85	5	20	6	10	11.5	5.5	6	12	8.5	M2	M3	15	5×15	10	14	1.18	1.18	11.8	9.741	6.8	2	5
2110A	70	30	12	110	257	22	45	1×45	32.5	M3	15	6×15	3.5x6x3.2	50	95	7.5	20	6	10	11.5	5.5	6	12	8.5	M2	M3	15	6×15	10	17	1.47	1.47	16.7	14.1	8.93	2	5
2125A	80	30	12	125	290	22	45	2×45	17.5	M3	15	7×15	3.5x6x3.2	55	110	7.5	20	6	10	11.5	5.5	6	12	8.5	M2	M3	15	7×15	10	19	1.57	1.57	20.4	17.5	9.77	2	5
VRT 3055A	30	40	16	55	220	30	40	1×40	7.5	M4	25	1×25	4.5x7.2x4.2	40	7.5	28.4	7.5	15	15	15.5	8	16	11.5	M2	M4	35	1×35	10	6	1.27	1.37	9.85	6.57	7.97	2	5	
3080A	45	40	16	80	336	30	65	1×65	7.5	M4	25	2×25	4.5x7.2x4.2	43	68	6	28.4	7.5	15	15	15.5	8	16	11.5	M2	M4	25	2×25	15	10	2.16	2.84	22.2	47	16.5	2	5
3105A	60	40	16	105	442	30	50	1×50	27.5	M4	25	3×25	4.5x7.2x4.2	55	90	7.5	28.4	7.5	15	15	15.5	8	16	11.5	M2	M4	25	3×25	15	13	2.94	4.22	34.8	28.1	24.4	5	6
3130A	75	40	16	130	551	30	75	1×75	27.5	M4	25	4×25	4.5x7.2x4.2	65	115	28.4	7.5	15	15	15.5	8	16	11.5	M2	M4	25	4×25	15	17	3.63	5.69	55.8	47.1	33.3	5	6	
3155A	90	40	16	155	657	30	50	2×50	27.5	M4	25	5×25	4.5x7.2x4.2	95	140	28.4	7.5	15	15	15.5	8	16	11.5	M2	M4	25	5×25	15	20	3.92	6.37	74.7	64.6	36.9	5	6	
3180A	105	40	16	180	766	30	75	1×75	52.5	M4	25	6×25	4.5x7.2x4.2	85	165	28.4	7.5	15	15	15.5	8	16	11.5	M2	M4	25	6×25	15	24	4.02	6.57	104	92.3	38.1	5	6	
3205A	130	40	16	205	871	30	75	2×75	27.5	M4	25	7×25	4.5x7.2x4.2	90	190	28.4	7.5	15	15	15.5	8	16	11.5	M2	M4	25	7×25	15	26	4.22	7.16	120	107	41.5	5	6	

Interchange table										
SV VR slide way,cross roller way						SVW slide way		Slide table,Cross roller table		
NB	THK	IKO	Schneeberger	Micro slides	Megatool	NB	IKO	NB	THK	Schneeberger
SV1020	VR 1-20	CRW 1-20	R 1020	RW059-020	G1-20	SVW 1020	CRWM 1-20	SVT1025	VRU 1025	NK1-25
SV1030	VR 1-30	CRW 1-30	R 1030	RW059-030	G1-30	SVW 1030	CRWM 1-30	SVT1035	VRU 1035	NK1-35
SV1040	VR 1-40	CRW 1-40	R 1040	RW059-040	G1-40	SVW 1040	CRWM 1-40	SVT1045	VRU 1045	NK1-45
SV1050	VR 1-50	CRW 1-50	R 1050	RW059-050	G1-50	SVW 1050	CRWM 1-50	SVT1055	VRU 1055	NK1-55
SV1060	VR 1-60	CRW 1-60	R 1060	RW059-050	G1-60	SVW 1060	CRWM 1-60	SVT1065	VRU 1065	NK1-65
SV1070	VR 1-70	CRW 1-70	R 1070	RW059-070	G1-70	SVW 1070	CRWM 1-70	SVT1075	VRU 1075	NK1-75
SV1080	VR 1-80	CRW 1-80	R 1080	RW059-080	G1-80	SVW 1080	CRWM 1-80	SVT1085	VRU 1085	NK1-85
SV2030	VR 2-30	CRW 2-30	R 2030	RW079-30	G2-20	SVW 2030	CRWM 2-30	SVT2035	VRU 2035	NK2-35
SV2045	VR 2-45	CRW 2-45	R 2045	RW079-45	G2-45	SVW 2045	CRWM 2-45	SVT2050	VRU 2050	NK2-50
SV2060	VR 2-60	CRW 2-60	R 2060	RW079-60	G2-60	SVW 2060	CRWM 2-60	SVT2065	VRU 2065	NK2-65
SV2075	VR 2-75	CRW 2-75	R 2075	RW079-75	G2-75	SVW 2075	CRWM 2-75	SVT2080	VRU 2080	NK2-80
SV2090	VR 2-90	CRW 2-90	R 2090	RW079-90	G2-90	SVW 2090	CRWM 2-90	SVT2095	VRU 2095	NK2-95
SV2105	VR 2-105	CRW 2-105	R 2105	RW079-105	G2-105	SVW 2105	CRWM 2-105	SVT2110	VRU 2110	NK2-110
SV2120	VR 2-120	CRW 2-120	R 2120	RW079-120	G2-120	SVW 2120	CRWM 2-120	SVT2125	VRU 2125	NK2-125
SV2135	VR 2-135	CRW 2-135		RW079-135	G2-135	SVW 3050	CRWM 3-50	SVT2140	VRU 3055	NK3-55
SV2150	VR 2-150	CRW 2-150	R 2150	RW079-150	G2-150	SVW 3075	CRWM 3-75	SVT2155	VRU 3080	NK3-80
SV2165	VR 2-165	CRW 2-165		RW079-165	G2-165	SVW 3100	CRWM 3-100	SVT2170	VRU 3105	NK3-105
SV2180	VR 2-180	CRW 2-180	R 2180	RW079-180	G2-180	SVW 3125	CRWM 3-125	SVT2185	VRU 3130	NK3-130
SV3050	VR 3-50	CRW 3-50	R 3050	RW118-2	G3-50	SVW 3150	CRWM 3-150	SVT3055	VRU 3155	NK3-155
SV3075	VR 3-75	CRW 3-75	R 3075	RW118-3	G3-75	SVW 3175	CRWM 3-175	SVT3080	VRU 3180	NK3-180
SV3100	VR 3-100	CRW 3-100	R 3100	RW118-4	G3-100	SVW 3200	CRWM 3-200	SVT3105	VRU 3205	NK3-205
SV3125	VR 3-125	CRW 3-125	R 3125	RW118-5	G3-125	SVW 4080	CRWM 4-80	SVT3130	VRU 4085	
SV3150	VR 3-150	CRW 3-150	R 3150	RW118-6	G3-150	SVW 4120	CRWM 4-120	SVT3155	VRU 4125	
SV3175	VR 3-175	CRW 3-175	R 3175	RW118-7	G3-175	SVW 4160	CRWM 4-160	SVT3180	VRU 4165	
SV3200	VR 3-200	CRW 3-200	R 3200	RW118-8	G3-200	SVW 4200	CRWM 4-200	SVT3205	VRU 4205	
SV3225	VR 3-225	CRW 3-225	R 3225	RW118-9	G3-225	SVW 4240	CRWM 4-240	SVT3230	VRU 4245	
SV3250	VR 3-250	CRW 3-250	R 3250	RW118-10	G3-250	SVW 4280	CRWM 4-280	SVT3255	VRU 4285	
SV3275	VR 3-275	CRW 3-275	R 3275	RW118-11	G3-275			SVT3280	VRU 6110	NK6-110
SV3300	VR 3-300	CRW 3-300	R 3300	RW118-12	G3-300			SVT3305	VRU 6160	NK6-160
SV3325								SVT4085	VRU 6210	NK6-210
SV3350			R 3350					SVT4125	VRU 6260	NK6-260
SV4080	VR 4-80	CRW 4-80	RN 4080		G4-80			SVT4165	VRU 6310	NK6-310
SV4120	VR 4-120	CRW 4-120	RN 4120		G4-120			SVT4205	VRU 6360	NK6-360
SV4160	VR 4-160	CRW 4-160	RN 4160		G4-160			SVT4245	VRU 6410	NK6-410
SV4200	VR 4-200	CRW 4-200	RN 4200		G4-200			SVT4285	VRU 9210	NK9-210
SV4240	VR 4-240	CRW 4-240	RN 4240		G4-240			SVT4325	VRU 9310	NK9-310
SV4280	VR 4-280	CRW 4-280	RN 4280		G4-280			SVT4365	VRU 9410	NK9-410
SV4320	VR 4-320	CRW 4-320	RN 4320		G4-320			SVT4405	VRU 9510	NK9-510
SV4360	VR 4-360	CRW 4-360	RN 4360		G4-360			SVT6110	VRU 9610	NK9-610
SV4400	VR 4-400	CRW 4-400	RN 4400		G4-400			SVT6160	VRU 9710	NK9-710
SV4440	VR 4-440	CRW 4-440	RN 4440		G4-440			SVT6210	VRU 9810	NK9-810
SV4480	VR 4-480	CRW 4-480	RN 4480		G4-480			SVT6260	VRU 9910	NK9-910
SV6100	VR 6-100	CRW 6-100	R 6100		GA6-100			SVT6310	VRU 91010	NK9-1010
SV6150	VR 6-150	CRW 6-150	R 6150		GA6-150			SVT6360		
SV6200	VR 6-200	CRW 6-200	R 6200		GA6-200			SVT6410		VRT slide table
SV6250	VR 6-250	CRW 6-250	R 6250		GA6-250			SVT6460	VRT 1025	ND1-25.12
SV6300	VR 6-300	CRW 6-300	R 6300		GA6-300			SVT6510	VRT 1035	ND1-35.18
SV6350	VR 6-350	CRW 6-350	R 6350		GA6-350			SVT9210	VRT 1045	ND1-45.25
SV6400	VR 6-400	CRW 6-400	R 6400		GA6-400			SVT9310	VRT 1055	ND1-55.32
SV6450	VR 6-450	CRW 6-450	R 6450		GA6-450			SVT9410	VRT 1065	
SV6500	VR 6-500	CRW 6-500	R 6500		GA6-500			SVT9510	VRT 1075	
SV6600	VR 6-600	CRW 6-600	R 6600		GA6-600			SVT9610	VRT 1085	
SV9200	VR 9-200	CRW 9-200	R 9200	RW354-8	G9A-200			SVT9710	VRT 2035	
SV9300	VR 9-300	CRW 9-300	R 9300	RW354-12	G9A-300			SVT9810	VRT 2050	
SV9400	VR 9-400	CRW 9-400	R 9400	RW354-16	G9A-400			SVT9910	VRT 2065	ND2-65.40
SV9500	VR 9-500	CRW 9-500	R 9500	RW354-20	G9A-500			SVT91010	VRT 2080	ND2-80.50
SV9600	VR 9-600	CRW 9-600	R 9600	RW354-24	G9A-600			NB	VRT 2095	ND2-95.60

Linear Slide way, Cross roller way, Slide table, Cross roller table

SV9700	VR 9-700	CRW 9-700	R 9700	RW354-28	G9A-700			SYT1025	VRT 2110	
SV9800	VR 9-800	CRW 9-800	R 9800	RW354-32	G9A-800			SYT1035	VRT 2125	
SV9900	VR 9-900	CRW 9-900	R 9900	RW354-36	G9A-900			SYT1045	VRT 3055	
SV91000	VR 9-1000	CRW 9-1000	R 91000	RW354-40	G9A-1000			SYT1055	VRT 3080	
SV12300	VR 12-300	CRW 12-300	R 12300		G12-300			SYT1065	VRT 3105	ND3-105.60
SV12400	VR 12-400	CRW 12-400	R 12400		G12-400			SYT1075	VRT 3130	ND3-130.75
SV12500	VR 12-500	CRW 12-500	R 12500		G12-500			SYT1085	VRT 3155	ND3-155.90
SV12600	VR 12-600	CRW 12-600	R 12600		G12-600			SYT2035	VRT 3180	
SV12700	VR 12-700	CRW 12-700	R 12700		G12-700			SYT2050	VRT 3205	
SV12800	VR 12-800	CRW 12-800	R 12800		G12-800			SYT2065		
SV12900	VR 12-900	CRW 12-900	R 12900		G12-900			SYT2080		
SV121000	VR 12-1000	CRW 12-1000	R 121000		G12-1000			SYT2095		
SV121100	VR 12-1100	CRW 12-1100	R 121100					SYT2110		
SV121200	VR 12-1200	CRW 12-1200	R 121200		G12-1200			SYT2125		
SV15300	VR 15-300	CRW 15-300	R 15300		G15-300					
SV15400	VR 15-400	CRW 15-400	R 15400		G15-400					
SV15500	VR 15-500	CRW 15-500	R 15500		G15-500					
SV15600	VR 15-600	CRW 15-600	R 15600		G15-600					
SV15700	VR 15-700	CRW 15-700	R 15700		G15-700			SYT3055		
SV15800	VR 15-800	CRW 15-800	R 15800		G15-800			SYT3080		
SV15900	VR 15-900	CRW 15-900	R 15900		G15-900			SYT3105		
SV151000	VR 15-1000	CRW 15-1000	R 151000		G15-1000			SYT3130		
SV151100	VR 15-1100	CRW 15-1100	R 151100					SYT3155		
SV151200	VR 15-1200	CRW 15-1200	R 151200		G15-1200			SYT3180		
SV18300	VR 18-300	CRW 18-300	R 18300		G18-300			SYT3205		
SV18400	VR 18-400	CRW 18-400	R 18400		G18-400					
SV18500	VR 18-500	CRW 18-500	R 18500		G18-500					
SV18600	VR 18-600	CRW 18-600	R 18600		G18-600					
SV18700	VR 18-700	CRW 18-700	R 18700		G18-700					
SV18800	VR 18-800	CRW 18-800	R 18800		G18-800					
SV18900	VR 18-900	CRW 18-900	R 18900		G18-900					
SV181000	VR 18-1000	CRW 18-1000	R 181000		G18-1000					
SV181100	VR 18-1100	CRW 18-1100	R 181100							
SV181200	VR 18-1200	CRW 18-1200	R 181200		G18-1200					