

## Trapezoidal Lead Screw and Nuts, Acme Screw

### FEATURE

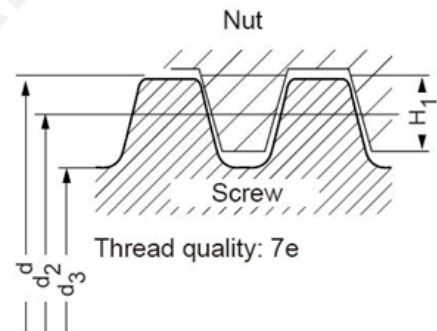
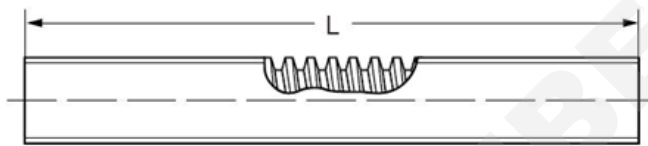
- Trapezoidal screw and trapezoidal nut
- Excellent performance to cost, Low-cost solution
- Various materials screw and nut can be dictated by the application
- Screw end machining according to customer requirements
- Gunmetal nuts for low and medium speed drives
- Bronze nuts for motion drives



### Trapezoidal Lead Screw

**Standard** Standard: ISO2901-4, DIN103, GB/5796 Clearance: 7e  
**Material** Material: C45 Steel, SUS303, SUS304 and others  
**Diameter** 10 to 80 mm Lead: 2 to 10 mm

**Max Length** 6000 mm  
**Thread direction** Right. (Left available)  
**End machining** Customized

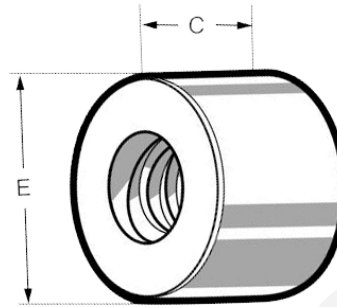


Part No.	d	d2min	d2max	d3 5)	H1	Accuracy(um/300mm)	Straightness(um/300mm)	a2)	h3)	Weight (kg/m)
Tr 10x2	10	8.739	8.929	6.89	1	300	1.5	4° 2'	0.4	0.5
Tr 10x3	10	8.191	8.415	5.84	1.5	300	1.5	6° 24'	0.51	0.446
Tr 12x3	12	10.191	10.415	7.84	1.5	300	1.5	5° 11'	0.46	0.746
Tr 14x3	14	12.191	12.415	9.84	1.5	300	1.5	4° 22'	0.42	1.04
Tr 14x4	14	11.64	11.905	8.8	2	300	1.5	6° 3'	0.5	0.888
Tr 16x4	16	13.64	13.905	10.8	2	300	1.5	5° 11'	0.46	1.21
Tr 18x4	18	15.64	15.905	12.8	2	300	1.5	4° 32'	0.43	1.58
Tr 20x4	20	17.64	17.905	14.8	2	300	1.5	4° 2'	0.4	2
Tr 22x5	22	19.114	19.394	15.5	2.5	300	1.5	4° 39'	0.43	2.23
Tr 24x5	24	21.094	21.394	17.5	2.5	300	1.5	4° 14'	0.41	2.72
Tr 26x5	26	23.094	23.394	19.5	2.5	300	1.5	3° 52'	0.39	3.26
Tr 28x5	28	25.094	25.394	21.5	2.5	300	1.5	3° 34'	0.37	3.85
Tr 30x6	30	26.547	26.882	21.9	3	300	1.5	4° 2'	0.4	4.5
Tr 32x6	32	28.547	28.882	23.9	3	300	1.5	3° 46'	0.38	5.18
Tr 36x6	36	32.547	32.882	27.9	3	300	1.5	3° 18'	0.35	6.71
Tr 40x7	40	36.02	36.375	30.5	3.5	300	1.5	3° 29'	0.37	8
Tr 44x7	44	40.02	40.275	34.5	3.5	300	1.5	3° 8'	0.34	9.87
Tr 48x8	48	43.468	43.868	37.8	4	300	1.5	3° 18'	0.35	12
Tr 50x8	50	45.468	45.868	39.3	4	300	1.5	3° 10'	0.34	13.1
Tr 60x9	60	54.935	55.36	48.15	4.5	300	1.5	2° 57'	0.33	18
Tr 70x10	70	64.425	64.85	57	5	300	1.5	2° 48'	0.32	26
Tr 80x10	80	74.425	74.85	67	5	300	1.5	2° 25'	0.29	34.7

### Cylindrical short nut TS-CSN

**Standards:** ISO2901-4 DIN103 GB/5796 **Clearance:** 7H.

**Material:** Bronze, brass, casting iron, 1.0718 (9SMn28K), POM,PA6

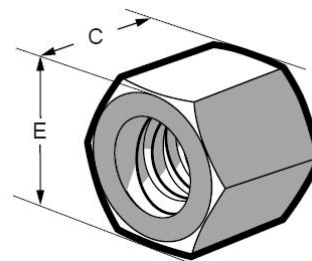


Product No.	E (mm)	C (mm)	Weight (kg)	Product No.	E(mm)	C (mm)	Weight(kg)
TS-CSN Tr 10 x 2	22	15	0.037	TS-CSN Tr 28 x 5	60	42	0.76
TS-CSN Tr 10 x 3	22	15	0.036	TS-CSN Tr 30 x 6	60	45	0.79
TS-CSN Tr 12 x 3	26	18	0.064	TS-CSN Tr 32 x 6	60	48	0.81
TS-CSN Tr 14 x 3	30	21	0.96	TS-CSN Tr 36 x 6	75	54	1.5
TS-CSN Tr 14 x 4	30	21	0.96	TS-CSN Tr 40 x 7	80	60	1.9
TS-CSN Tr 16 x 4	36	24	0.16	TS-CSN Tr 44 x 7	80	66	2.7
TS-CSN Tr 18 x 4	40	27	0.22	TS-CSN Tr 48 x 8	90	72	2.9
TS-CSN Tr 20 x 4	45	30	0.31	TS-CSN Tr 50 x 8	90	75	2.7
TS-CSN Tr 22 x 5	45	33	0.33	TS-CSN Tr 60 x 9	100	90	3.7
TS-CSN Tr 24 x 5	50	36	0.45	TS-CSN Tr 70 x 10	110	105	4.9
TS-CSN Tr 26 x 5	50	39	0.47	TS-CSN Tr 80 x 10	120	120	6.4

### Hexagonal short nuts—TS-HSN

**Standards:** ISO2901-4 DIN103 GB/5796 **Clearance:** 7H.

**Material:** Bronze, brass, casting iron, 1.0718 (9SMn28K), POM,PA6

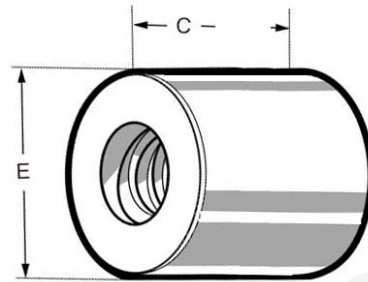


Product No.	E (mm)	C (mm)	Weight (kg)	Product No.	E(mm)	C (mm)	Weight(kg)
TS-HSN Tr 10 x 2	17	15	0.022	TS-HSN Tr 28 x 5	41	42	0.3
TS-HSN Tr 10 x 3	17	15	0.022	TS-HSN Tr 30 x 6	46	45	0.43
TS-HSN Tr 12 x 3	19	18	0.028	TS-HSN Tr 32 x 6	46	48	0.42
TS-HSN Tr 14 x 3	22	21	0.044	TS-HSN Tr 36 x 6	55	54	0.73
TS-HSN Tr 14 x 4	22	21	0.044	TS-HSN Tr 40 x 7	65	60	1.3
TS-HSN Tr 16 x 4	27	24	0.084	TS-HSN Tr 44 x 7	65	66	1.2
TS-HSN Tr 18 x 4	27	27	0.086	TS-HSN Tr 48 x 8	75	72	1.8
TS-HSN Tr 20 x 4	30	30	0.17	TS-HSN Tr 50 x 8	75	75	1.8
TS-HSN Tr 22 x 5	30	33	0.17	TS-HSN Tr 60 x 9	90	90	2.8
TS-HSN Tr 24 x 5	36	36	0.2	TS-HSN Tr 70 x 10	90	105	3.1
TS-HSN Tr 26 x 5	36	39	0.2				

### Cylindrical long nut TS-CLN

**Standards:** ISO2901-4 DIN103 GB/5796 **Clearance:** 7H.

**Material:** Bronze, brass, casting iron, 1.0718 (9SMn28K), POM,PA6

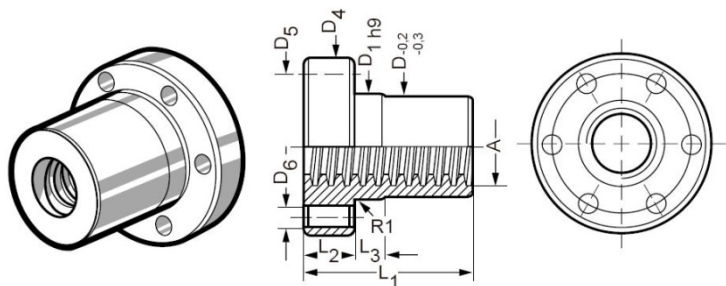


Product No.	E (mm)	C (mm)	Weight (kg)	Product No.	E (mm)	C (mm)	Weight (kg)
TS-CLN Tr 10x2	22	20	0.056	TS-CLN Tr 26x5	50	48	0.58
TS-CLN Tr 10x3	22	20	0.056	TS-CLN Tr 28x5	60	60	1.2
TS-CLN Tr 12x3	26	24	0.092	TS-CLN Tr 30x6	60	60	1.2
TS-CLN Tr 12x6 P3	26	24	0.092	TS-CLN Tr 30x12 P6	60	60	1.2
TS-CLN Tr 14x3	30	28	0.14	TS-CLN Tr 32x6	60	60	1.2
TS-CLN Tr 14x4	30	28	0.14	TS-CLN Tr 36x6	75	72	2.2
TS-CLN Tr 16x4	36	32	0.25	TS-CLN Tr 40x7	80	80	2.8
TS-CLN Tr 16x8 P4	36	32	0.25	TS-CLN Tr 40x14 P7	80	80	2.8
TS-CLN Tr 18x4	40	36	0.34	TS-CLN Tr 44x7	80	80	2.6
TS-CLN Tr 20x4	45	40	0.48	TS-CLN Tr 48x8	90	100	4.3
TS-CLN Tr 20x8 P4	45	40	0.45	TS-CLN Tr 50x8	90	100	4.2
TS-CLN Tr 22x5	45	40	0.46	TS-CLN Tr 60x9	100	120	5.7
TS-CLN Tr 22x24 P4S1)	45	40	0.46	TS-CLN Tr 70x10	110	140	7.6
TS-CLN Tr 24x5	50	48	0.69	TS-CLN Tr 80x10	120	160	9.7
TS-CLN Tr 24x10 PS	50	48	0.65				

### Flange nut TS-FN

**Standards:** ISO2901-4 DIN103 GB/5796 **Clearance:** 7H.

**Material:** Bronze, brass, casting iron, 1.0718 (9SMn28K), POM,PA6



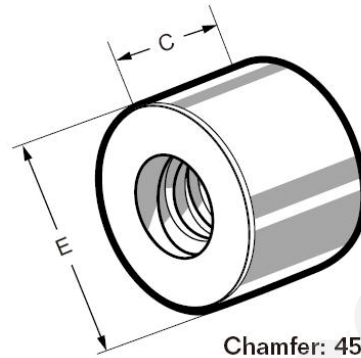
Product No.	D1	D4	D5	6xD6	L1	L2	L3	Weight (kg)
TS-FN Tr 16x4	28	48	38	6	44	12	8	0.25
TS-FN Tr 18x4	28	48	38	6	44	12	8	0.25
TS-FN Tr 20x4	32	55	45	7	44	12	8	0.3
TS-FN Tr 24x5	32	55	45	7	44	12	8	0.3
TS-FN Tr 30x6	38	62	50	7	46	14	8	0.4
TS-FN Tr 36x6	45	70	58	7	59	16	10	0.6
TS-FN Tr 40x7	63	95	78	9	73	16	10	1.7
TS-FN Tr 50x8	72	110	90	11	97	18	10	2.6
TS-FN Tr 60x9	85	125	105	11	99	20	10	3.7

**Cylindrical long plastic nut TS-CLPN**

**Standards:** ISO2901-4 DIN103 GB/5796 **Clearance:** 7H.

**Material:** POM,PA6

**Characteristics:** low-noise and high speed



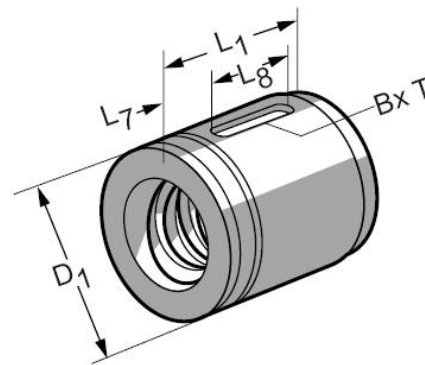
Product No.	E (mm)	C (mm)	Weight (kg)	Product No.	E (mm)	C (mm)	Weight (kg)
TS-CLPN Tr 12x3	26	24	0.012	TS-CLPN Tr 30x6	60	60	0.15
TS-CLPN Tr 12x6 P3	26	24	0.012	TS-CLPN Tr 30x12 P6	60	60	0.15
TS-CLPN Tr 16x4	36	32	0.032	TS-CLPN Tr 36x6	75	72	0.3
TS-CLPN Tr 16x8 P4	36	32	0.032	TS-CLPN Tr 40x7	80	80	0.37
TS-CLPN Tr 20x4	45	40	0.06	TS-CLPN Tr 50x8	90	100	0.55
TS-CLPN Tr 20x8 P4	45	40	0.06				
TS-CLPN Tr 24x5	50	48	0.088				

**Full plastic nut TS-FPN**

**Standards:** ISO2901-4 DIN103 GB/5796 **Clearance:** 7H.

**Material:** POM,PA6

**Characteristics:** low-noise and high speed



Product No.	D1	L1	L7	L8	BxT	Weight(kg)	Bearing Surface (mm <sup>2</sup> )
EKM Tr 12x4	20	24	5	14	3x1.8	0.01	140
EKM Tr 16x4	28	34	7	20	5x2.9	0.02	520
EKM Tr 20x4	32	34	7	20	5x2.9	0.03	670
EKM Tr 20x8 P4	32	34	7	20	5x2.9	0.03	670
EKM Tr 20x16 P4	32	34	7	20	5x2.9	0.03	670
EKM Tr 24x5	38	34	7	20	5x2.9	0.04	800
EKM Tr 32x6	53	60	14	32	6x3.5	0.14	1910
EKM Tr 40x7	63	60	14	32	6x3.5	0.18	2400
EKM Tr 50x8	72	82	16	50	6x3.5	0.29	4140